

Dialight



Dialight LED Lighting Catalogue - EMEA

for Industrial and Hazardous Areas



OCTOBER 2021

Maintenance Comparison

10 years

Dialight



Typical non-Dialight LED product



High Pressure Sodium

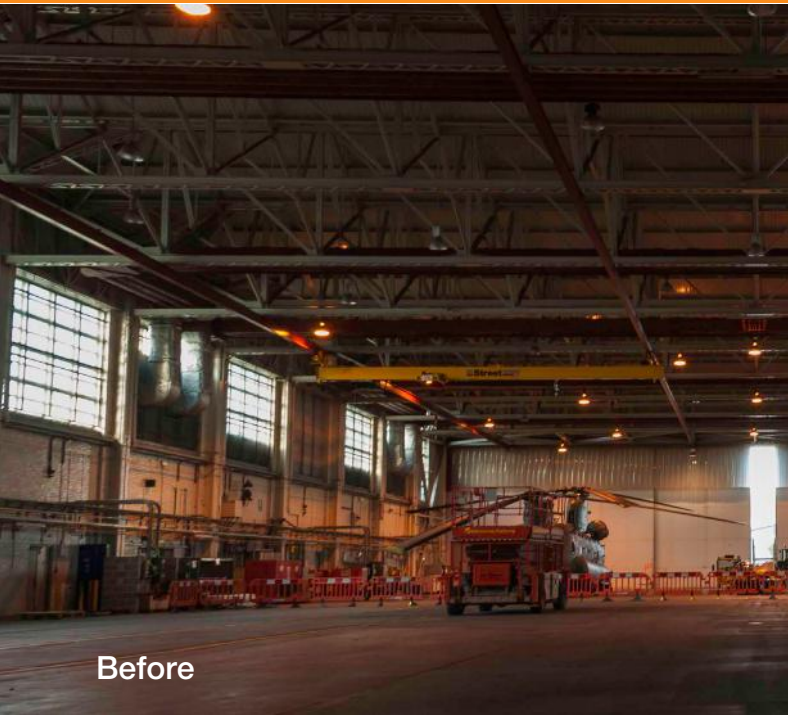


Fluorescent

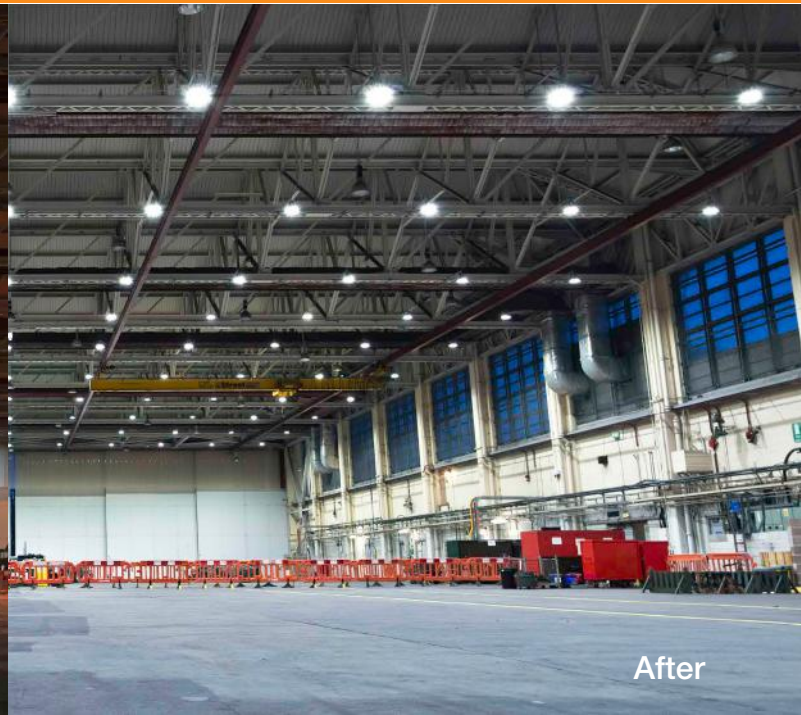


Metal Halide





Before



After

About Dialight

With over 40 years of industrial LED lighting experience and the largest installed base in the world, Dialight's extensive network of support staff, distributor and channel partners are ready to help you select among our wide range of products to identify a lighting solution that meets your specific needs.

Reliant™

- LED lighting for light industrial applications
- 10 year warranty

Vigilant®

- LED lighting for general industrial applications
- 10 year warranty

DuroSite®

- LED lighting for general industrial applications
- 5 & 10 year warranty

SafeSite®



- LED lighting for hazardous applications
- 5 & 10 year warranty



Hazardous Area Ratings

Fixed and portable fixtures for installation and use in hazardous areas.



Zones

The zone defines the probability of hazardous material being present in an explosive concentration in the atmosphere.

Zone	Hazardous Material in Surrounding Atmosphere
Zone 0, 20	Area in which an explosive gas / dust mixture is continuously present or present for long periods
Zone 1, 21	Area in which an explosive gas / dust mixture is likely to occur for short periods in normal operation
Zone 2, 22	Area in which an explosive gas / dust mixture is present for a very short time due to an abnormal condition

Protection Types

The protection types are used to denote the protection concept utilised in the devices.

Ex	Presence of Hazardous Material	Zones
Ex d	Flameproof (Explosion proof) Enclosure	1, 21, 2, 22
Ex e	Increased Safety	1, 21, 2, 22
Ex m	Encapsulation	1, 21, 2, 22
Ex n or N	Non incendive or/and normally no sparking circuits	2, 22

Temperature Ratings

Certified equipment is tested for maximum temperature rating by approval agencies.

Equipment for Group II receives a temperature code indicating the maximum temperatures of the product.

Temperature Rating	
T1	450°C
T2	300°C
T3	200°C
T4	135°C
T5	100°C
T6	85°C

Groups (Gas & Dust)

Equipment is tested for suitability in specified gas groups and dust groups.

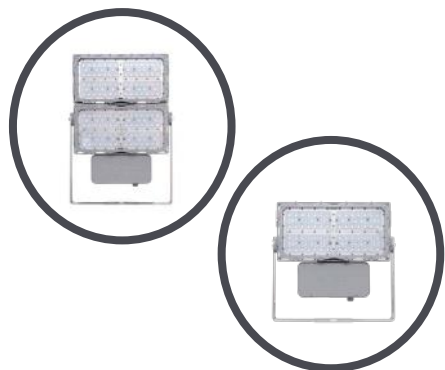
Gas groups IIA, IIB, IIC. Dust groups IIIA, IIIB, IIIC

Group	Hazardous Material in Surrounding Atmosphere
Group IIA	Propane group
Group IIB	Ethylene group
Group IIC	Hydrogen group
Group IIIA	Combustible flyings
Group IIIB	Non-conductive dust
Group IIIC	Conductive dust

Table of Contents

	ProSite LED Lighting for Industrial & Hazardous Applications	
	ProSite LED Floodlight	12-15
	Reliant™ LED Lighting for Industrial Applications	
	Reliant™ LED High Bay	16-19
	Vigilant® LED Lighting for Industrial Applications	
	Vigilant® Ultra-Efficient LED High Bay	20-23
	Vigilant® LED High Bay	24-27
	Vigilant® LED High Output High Bay	28-29
	Vigilant® LED High Output High Bay - DALI	30-31
	Vigilant® LED High Output High Bay - Low Profile	32-33
	Vigilant® LED Dual Floodlight	34-35
	Vigilant® LED Area Light	36-37
	Vigilant® LED Conveyor Light	38-39
	Vigilant® LED Bulkhead	40-43
	DuroSite® LED Lighting for Industrial Applications	
	DuroSite® LED Floodlight	44-45
	DuroSite® LED Stainless Steel Linear, Emergency Model	46-47
	SafeSite® LED Lighting for Hazardous Applications	
	SafeSite® LED High Bay	48-49
	SafeSite® LED GRP Linear	50-53
	SafeSite® LED Stainless Steel Linear, Emergency Model	54-55
	SafeSite® LED Area Light	56-57
	SafeSite LED Transportable Lighting for Hazardous Applications	
	SafeSite® LED Transportable Bulkhead	58
	StreetSense® LED Fixture for Infrastructure Solutions	
	StreetSense® LED Street Light - ATEX, IECEx	59-60
	Obstruction LED Lighting	
	ICAO	61-62

ProSite LED Lighting Fixtures for Industrial & Hazardous Applications



LED Floodlight

Wattage Range:	81-499W
Lumen Output Range:	12,200-65,000
Lumens per Watt:	Up to 163
Input Voltage:	120-277 VAC / 120-250 VDC, 347-415 VAC
Mounting:	Structure, Pole
Mounting Height:	Up to 30m



Reliant™ LED Lighting Fixtures for Industrial Applications



LED High Bay

Wattage Range:	71-232W
Lumen Output Range:	10,600-33,800
Lumens per Watt:	Up to 149
Input Voltage:	100-277 VAC 50/60Hz
Mounting:	Overhead
Mounting Height:	Up to 12m



Vigilant® LED Lighting Fixtures for Industrial Applications



LED High Bay

Wattage Range:	80-186W
Lumen Output Range:	11,000-41,300
Lumens per Watt:	Up to 200
Input Voltage:	100-277 VAC, 120-250 VDC
Mounting:	Overhead, Ceiling, Suspended
Mounting Height:	Up to 18m



LED High Output High Bay & Low Profile

Wattage Range:	300-485W
Lumen Output Range:	Up to 72,000
Lumens per Watt:	Up to 155
Input Voltage:	120-277 VAC
Mounting:	Suspended
Mounting Height:	Up to 30m



DISCLAIMER. All product information provided is, to the best of Dialight's knowledge, accurate as of the date of publication. When ordering, refer to www.dialight.com for current versions of: (a) relevant product documentation (including the relevant product data sheets); (b) Dialight terms and conditions of sale; and, (c) the relevant product warranty. To the extent that any contract is deemed formed between Dialight and the purchaser of Dialight products and/or an end-user, versions of documents available at www.dialight.com as at the date of sale shall be the versions incorporated therein. In the event of any discrepancy between this document or information provided at www.dialight.com, the latter shall prevail.

Vigilant® LED Lighting Fixtures

for Industrial Applications



LED Dual Floodlight

Wattage Range:	385W
Lumen Output Range:	54,000-56,000
Lumens per Watt:	Up to 145
Input Voltage:	100-277 VAC, 120-250 VDC
Mounting:	Structure, Pole
Mounting Height:	Up to 25m



LED Area Light

Wattage Range:	40-66W
Lumen Output Range:	5,500-9,000
Lumens per Watt:	Up to 143
Input Voltage:	100-277 VAC, 120-250 VDC
Mounting:	Ceiling, Wall, Pole
Mounting Height:	Up to 10m



LED Conveyor Light

Wattage:	64W
Lumen Output:	6,700
Lumens per Watt:	Up to 106
Input Voltage:	100-277VAC, 120-250 VDC
Mounting:	34mm pole mount
Mounting Height:	Up to 6m



LED Bulkhead

Wattage:	20-48W
Lumen Output:	3,100-6,700
Lumens per Watt:	Up to 149
Input Voltage:	100-277VAC, 120-250 VDC, 230/240 VAC
Mounting:	Pole mount
Mounting Height:	Up to 6m



DISCLAIMER. All product information provided is, to the best of Dialight's knowledge, accurate as of the date of publication. When ordering, refer to www.dialight.com for current versions of: (a) relevant product documentation (including the relevant product data sheets); (b) Dialight terms and conditions of sale; and, (c) the relevant product warranty. To the extent that any contract is deemed formed between Dialight and the purchaser of Dialight products and/or an end-user, versions of documents available at www.dialight.com as at the date of sale shall be the versions incorporated therein. In the event of any discrepancy between this document or information provided at www.dialight.com, the latter shall prevail.

DuroSite® LED Lighting Fixtures

for Industrial Applications



LED Floodlight

Wattage Range:	106-140W
Lumen Output Range:	10,500-15,000
Lumens per Watt:	Up to 111
Input Voltage:	100-277 VAC
Mounting:	Structure, Pole
Mounting Height:	Up to 15m



LED Stainless Steel Linear & Emergency Battery Backup

Wattage Range:	34W-67W (Standard), 35W-70W (Emergency)
Lumen Output Range:	2,600-5,100
Lumens per Watt:	Up to 76
Input Voltage:	100-277 VAC (Standard), 230/240 VAC (Emergency)
Mounting:	Overhead, Wall, Pole
Mounting Height:	Up to 6m



SafeSite® LED Lighting Fixtures

for Hazardous Area Applications



LED High Bay

Wattage: 88W-212W
Lumen Output Range: 9,650-23,500
Lumens per Watt: 110
Input Voltage: 100-277 VAC
Mounting: Pole, Overhead, Ceiling, Wall
Mounting Height: Up to 12m
Zone: Zone 1, 21 and Zone 2, 22



LED GRP Linear

Wattage Range: 25-51W
Lumen Output Range: 2,785-5,750
Lumens per Watt: Up to 123
Input Voltage: 100-277 VAC/120-250 VDC, 230/240 VAC (Emergency)
Mounting: Ceiling, Wall, Pole
Zone: Zone 2, 21 & 22



LED Linear & LED Emergency Linear - Stainless Steel

Wattage Range: 34W-67W (Standard), 35W-70W (Emergency)
Lumen Output Range: 2,600-5,100
Lumens per Watt: Up to 76
Input Voltage: 110-250 VAC (Standard), 230-240 VAC (Emergency)
Mounting: Overhead, Ceiling, Wall, Pole
Mounting Height: Up to 6m
Zone: Zone 1, 21 and Zone 2, 22



LED Area Light

Wattage Range: 58W
Lumen Output Range: 5,600-6,000
Lumens per Watt: Up to 103
Input Voltage: 100-277 VAC
Mounting: Overhead, Ceiling, Wall, Pole
Mounting Height: Up to 10m
Zone: Zone 1, 21 and Zone 2, 22



DISCLAIMER. All product information provided is, to the best of Dialight's knowledge, accurate as of the date of publication. When ordering, refer to www.dialight.com for current versions of: (a) relevant product documentation (including the relevant product data sheets); (b) Dialight terms and conditions of sale; and, (c) the relevant product warranty. To the extent that any contract is deemed formed between Dialight and the purchaser of Dialight products and/or an end-user, versions of documents available at www.dialight.com as at the date of sale shall be the versions incorporated therein. In the event of any discrepancy between this document or information provided at www.dialight.com, the latter shall prevail.

SafeSite® LED Transportable Range

for Hazardous Area Applications



SafeSite LED Transportable Bulkhead



Wattage Range:	34W
Lumen Output Range:	2,250
Lumens per Watt:	Up to 66
Input Voltage:	100-277 VAC
Zone:	Zone 1, 21 and Zone 2, 22

StreetSense® LED Street Light

for Industrial and Hazardous Area Applications



StreetSense LED Street Light - CE and ATEX Zone 2



Wattage Range:	65-252W
Lumen Output Range:	5,500-20,250
Lumens per Watt:	Up to 85
Input Voltage:	100-277 VAC
Zone:	Zone 2

Obstruction LED Lighting Solutions

ICAO



Vigilant LED Based ICAO Type A

High Intensity (White / Red) Strobe

Effective Intensity:	White Day – 200,000 cd White Twilight- 20,000 cd White or Red Night- 2,000 cd
Wattage:	White day - 160W White twilight - 30W White Night - 23W Red Night - 30W
Input Voltage:	208-277 VAC



Vigilant LED Based ICAO Type A/Type B

Medium Intensity (White/Red) Strobe - Infrared (IR) available



Effective Intensity:	White Day- 20,000 cd White Night- 2,000 cd Red Night- 2,000 cd
Wattage:	White Day- 36W (system = 75W) White Night- 4W (system = 10W) Red Night- 12W (system = 25W)
Input Voltage:	120-240 VAC or +/- 48 VDC

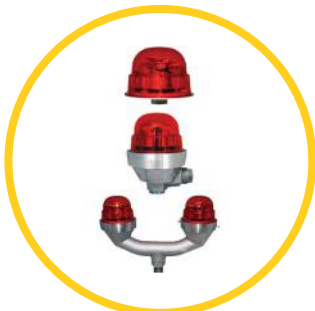


Vigilant LED Based ICAO Type B/Type C

Medium Intensity (Red) Beacon - Infrared (IR) available



Effective Intensity:	2,000 cd
Wattage:	3.3W (16.7% duty circle)- standard 7.0W (16.7% duty circle)- IR model 20 flashes per minute with 0.5 sec. on time
Input Voltage:	120-240 VAC or 24-48 VDC



Vigilant LED Based ICAO Type B/Type E

Low Intensity (Red) RTO Side Light - Infrared (IR) available



Effective Intensity:	32.5 cd
Wattage Range:	1.5-9.0W
Input Voltage:	12-48 VDC, 120-240 VAC, 277 VAC



Vigilant LED Based ICAO Type B/Type E

Low Intensity (Red) Side Light



Effective Intensity:	32.5 cd
Wattage Range:	13-24W
Input Voltage:	12-48 VDC, 120 VAC, 230 VAC

DISCLAIMER. All product information provided is, to the best of Dialight's knowledge, accurate as of the date of publication. When ordering, refer to www.dialight.com for current versions of: (a) relevant product documentation (including the relevant product data sheets); (b) Dialight terms and conditions of sale; and, (c) the relevant product warranty. To the extent that any contract is deemed formed between Dialight and the purchaser of Dialight products and/or an end-user, versions of documents available at www.dialight.com as at the date of sale shall be the versions incorporated therein. In the event of any discrepancy between this document or information provided at www.dialight.com, the latter shall prevail.

ProSite LED Floodlight - CE

F1 Models



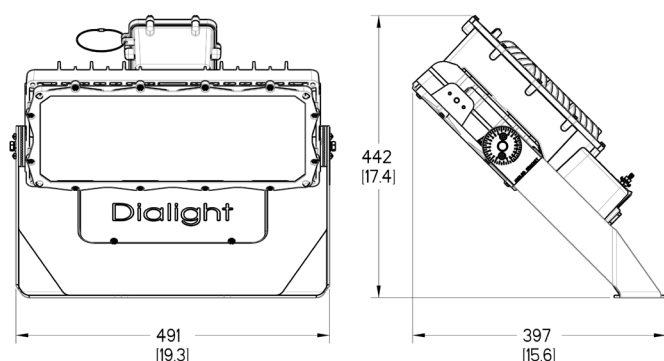
Patent Pending

Certifications & Ratings

- 10 year warranty
- CE
- ENEC - Pending*
- IP66/67
- IK10 (integrated PC optic/lens/lens cover), IK08 (glass lens cover)
- L70 > 150,000 hours @ 25°C ambient

*Values based on preliminary data awaiting validation or certification.

Angled Bracket



Dimensions in mm [inches]

Mechanical Information:

Fixture weight:	10.9 - 13.6 kg
Shipping weight:	~14.5 kg
EPA (m²):	0.186
Mounting: (all with 7.5° tilting increments)	316 stainless steel straight bracket 316 stainless steel angled bracket Slipfitter bracket
Cable entry:	2 x M25

Electrical Specifications:

Operating voltage:	120-277 VAC / 120-250 VDC 347-415 VAC
Operating temp:	-40°C to +65°C
EMC:	CISPR 15 FCC 47CFR 15 IEC 61000-3-3 IEC 61547 IEC 61000-3-2
Transient protection:	6KV/3KA combination wave, as per IEEE C62.41, line-line and line-ground.
Optional:	10kV/5kA for non-hazardous models
THD:	< 20%
Power Factor:	> 0.9
Dimming:	Wireless dimming controls via Dialight IntelliLED, DALI 2.0 compatible/ 0-10 VDC

Construction:

Housing:	A360 Die-cast aluminum
Hardware:	316 stainless steel
Finish:	Superior epoxy and polyester dual coat finish
Lens:	Integrated PC Optic/Lens, Glass Lens Cover, PC Lens Cover

Photometric Information:

CRI:	70 (80 optional)
CCT:	5000K (cool white) 4000K (neutral white) 2700K (warm white) - 80 CRI Amber
Beam pattern:	Medium - 55° Wide - 125° Very Wide - 131° x 108° Asymmetric - Forward Distribution

IES files: Available at www.dialight.com

All values typical unless otherwise stated (tolerance +/- 10%)

WARNING - INSTALLATION & SECONDARY RETENTION. Use of any Dialight products without proper installation (including secondary retention / netting) and periodic inspections could cause severe injury or death. Dialight recommends that all installations should use secondary retention / netting (appropriate to the installation environment) where applicable. It is the exclusive responsibility of the contractor, installer and/or end-user to: (a) determine the suitability of the product for its intended application; and, (b) ensure that the product is safely installed (with secondary retention / netting where appropriate) and in compliance with all applicable laws and regulations. To the extent permissible under applicable laws, Dialight disclaims all liability for personal injury and/or other damage resulting from any dislodgment or other dislocation of its products.

Ordering Information

ProSite LED Floodlight - CE



Industrial - CE							
Part Number	Fixture Lumens	Wattage	lm/W	Voltage	CCT	Lens	Beam Distribution
12,000lm - Angled Bracket							
F1E-N7B2-BDEN-VGN	13,200	81	163	120-277VAC / 120-250VDC	5000k (cool white)	Integrated PC	Very Wide (131° x 108°)
F1E-N6B2-BDEN-VGN	13,200	81	163	120-277VAC / 120-250VDC	5000k (cool white)	Integrated PC	Wide (125°)
F1E-N4B2-BDEN-VGN	13,200	81	163	120-277VAC / 120-250VDC	5000k (cool white)	Integrated PC	Medium (56°)
F1E-7FB2-BDEN-VGN	12,200	81	151	120-277VAC / 120-250VDC	5000k (cool white)	Glass	Asymmetric
18,000lm - Angled Bracket							
F1E-N7B2-CDEN-VGN	19,100	124	154	120-277VAC / 120-250VDC	5000k (cool white)	Integrated PC	Very Wide (131° x 108°)
F1E-N6B2-CDEN-VGN	19,100	124	154	120-277VAC / 120-250VDC	5000k (cool white)	Integrated PC	Wide (125°)
F1E-N4B2-CDEN-VGN	19,100	124	154	120-277VAC / 120-250VDC	5000k (cool white)	Integrated PC	Medium (56°)
F1E-7FB2-CDEN-VGN	17,700	124	143	120-277VAC / 120-250VDC	5000k (cool white)	Glass	Asymmetric
30,000lm - Angled Bracket							
F1E-N7B2-FDEN-VGN	31,600	234	135	120-277VAC / 120-250VDC	5000k (cool white)	Integrated PC	Very Wide (131° x 108°)
F1E-N6B2-FDEN-VGN	31,600	234	135	120-277VAC / 120-250VDC	5000k (cool white)	Integrated PC	Wide (125°)
F1E-N4B2-FDEN-VGN	31,600	234	135	120-277VAC / 120-250VDC	5000k (cool white)	Integrated PC	Medium (56°)
F1E-7FB2-FDEN-VGN	29,200	234	125	120-277VAC / 120-250VDC	5000k (cool white)	Glass	Asymmetric

All values typical unless otherwise stated (tolerance +/- 10%).

Part numbers listed in **bold** are typically available in stock.

Voltage - For 347-415 VAC change 7th character to '5'.

CCT - For 4000k change 6th character to 'L'. For 2700k change 6th character to 'W'. Amber options available.

Lens - For glass lens cover change 4th character to a '7'. For PC lens cover change 4th character to a '4'.

Surge Protection - for 10kV surge protection 120-277VAC change 7th character to '8'. For 10kV surge protection 347-415 VAC change 7th character to '9'

PE Cell - For NEMA PE Cell Receptacle with shorting cap change 9th character to 'S'.

Mounting Bracket - For straight bracket change 10th character to 'F', for slip fitter change 10th character to 'S'.

ProSite LED Floodlight - CE

F2 Models



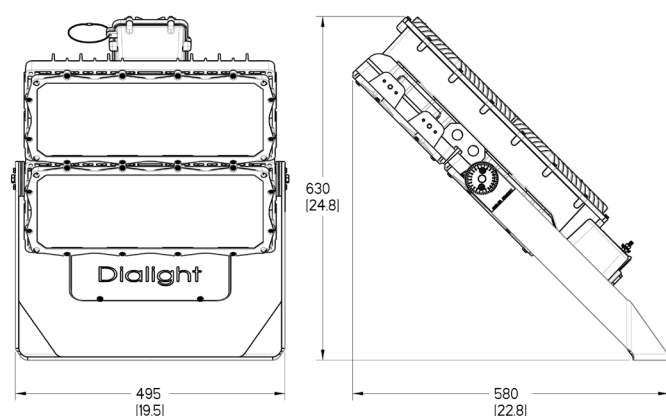
Patent Pending

Certifications & Ratings

- 10 year warranty
- CE
- ENEC - Pending*
- IP66/67
- IK10 (integrated PC optic/lens/lens cover), IK08 (glass lens cover)
- L70 > 150,000 hours @ 25°C ambient

*Values based on preliminary data awaiting validation or certification.

Angled Bracket



Dimensions in mm [inches]

Mechanical Information:

Fixture weight:	19.5 - 24.5 kg
Shipping weight:	~25.5 kg
EPA (m²):	0.310
Mounting:	316 stainless steel straight bracket (all with 7.5° tilting increments) 316 stainless steel angled bracket
Cable entry:	2 x M25

Electrical Specifications:

Operating voltage:	120-277 VAC / 120-250 VDC 347-415 VAC
Operating temp:	-40°C to +65°C -40°C to +55°C - 60klm
EMC:	CISPR 15 FCC 47CFR 15 IEC 61000-3-3 IEC 61547 IEC 61000-3-2
Transient protection:	10kV/5kA
THD:	< 20%
Power Factor:	> 0.9
Dimming:	0-10VDC

Construction:

Housing:	A360 Die-cast aluminum
Hardware:	316 stainless steel
Finish:	Superior epoxy and polyester dual coat finish
Lens:	Integrated PC Optic/Lens, Glass Lens Cover, PC Lens Cover

Photometric Information:

CRI:	70 (80 optional)
CCT:	5000K (cool white) 4000K (neutral white) 2700K (warm white) - 80 CRI Amber
Beam pattern:	Medium - 55° Wide - 125° Very Wide - 131° x 108° Asymmetric - Forward Distribution
IES files:	Available at www.dialight.com

All values typical unless otherwise stated (tolerance +/- 10%)

WARNING - INSTALLATION & SECONDARY RETENTION. Use of any Dialight products without proper installation (including secondary retention / netting) and periodic inspections could cause severe injury or death. Dialight recommends that all installations should use secondary retention / netting (appropriate to the installation environment) where applicable. It is the exclusive responsibility of the contractor, installer and/or end-user to: (a) determine the suitability of the product for its intended application; and, (b) ensure that the product is safely installed (with secondary retention / netting where appropriate) and in compliance with all applicable laws and regulations. To the extent permissible under applicable laws, Dialight disclaims all liability for personal injury and/or other damage resulting from any dislodgment or other dislocation of its products.

Ordering Information

ProSite LED Floodlight - CE



Industrial - CE / RCM							
Part Number	Fixture Lumens	Wattage	lm/W	Voltage	CCT	Lens	Beam Distribution
60,000lm - 10kV Surge Protection - Angled Bracket							
F2E-N7B8-NDEN-VGN	65,000	484	134	120-277VAC / 120-250VDC	5000k (cool white)	Integrated PC	Very Wide (131° x 108°)
F2E-N6B8-NDEN-VGN	65,000	484	134	120-277VAC / 120-250VDC	5000k (cool white)	Integrated PC	Wide (125°)
F2E-N4B8-NDEN-VGN	65,000	484	134	120-277VAC / 120-250VDC	5000k (cool white)	Integrated PC	Medium (56°)
F2E-7FB8-NDEN-VGN	60,100	484	124	120-277VAC / 120-250VDC	5000k (cool white)	Glass	Asymmetric
F2E-N7L8-NDEN-VGN	65,000	484	134	120-277VAC / 120-250VDC	4000k (neutral white)	Integrated PC	Very Wide (131° x 108°)
F2E-N6L8-NDEN-VGN	65,000	484	134	120-277VAC / 120-250VDC	4000k (neutral white)	Integrated PC	Wide (125°)
F2E-N4L8-NDEN-VGN	65,000	484	134	120-277VAC / 120-250VDC	4000k (neutral white)	Integrated PC	Medium (56°)
F2E-7FL8-NDEN-VGN	60,100	484	124	120-277VAC / 120-250VDC	4000k (neutral white)	Glass	Asymmetric
60,000lm - 10kV Surge Protection - Angled Bracket - 415 VAC							
F2E-N7B9-NDEN-VGN	65,000	499	130	347-415VAC	5000k (cool white)	Integrated PC	Very Wide (131° x 108°)
F2E-N6B9-NDEN-VGN	65,000	499	130	347-415VAC	5000k (cool white)	Integrated PC	Wide (125°)
F2E-N4B9-NDEN-VGN	65,000	499	130	347-415VAC	5000k (cool white)	Integrated PC	Medium (56°)
F2E-7FB9-NDEN-VGN	60,100	499	120	347-415VAC	5000k (cool white)	Glass	Asymmetric
F2E-N7L9-NDEN-VGN	65,000	499	130	347-415VAC	4000k (neutral white)	Integrated PC	Very Wide (131° x 108°)
F2E-N6L9-NDEN-VGN	65,000	499	130	347-415VAC	4000k (neutral white)	Integrated PC	Wide (125°)
F2E-N4L9-NDEN-VGN	65,000	499	130	347-415VAC	4000k (neutral white)	Integrated PC	Medium (56°)
F2E-7FL9-NDEN-VGN	60,100	499	120	347-415VAC	4000k (neutral white)	Glass	Asymmetric

All values typical unless otherwise stated (tolerance +/- 10%).

Part numbers listed in **bold** are typically available in stock.

CCT - For 4000k change 6th character to 'L'. For 2700k change 6th character to 'W'.

Lens - For glass lens cover change 4th character to a '7', For PC lens cover change 4th character to a '4'.

PE Cell - For NEMA PE Cell Receptacle with shorting cap change 9th character to 'S'.

Mounting Bracket - For straight bracket change 10th character to 'F'.

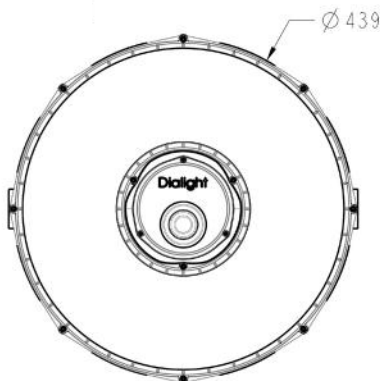
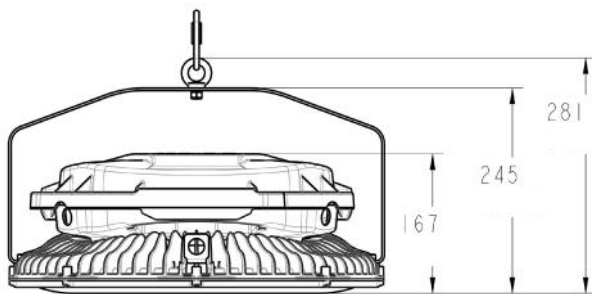
Reliant™ LED High Bay

Technical Specification



Certifications & Ratings

- 10 year warranty
- CE / ENEC
- IP66
- IK10 (polycarbonate) / IK07 (glass)
- L70 rated for >100,000 hours @ 55°C
- L90 rated for >100,000 hours @ 25°C



Dimensions in mm

Mechanical Information:

Fixture weight:	9.3 kg
Shipping weight:	12 kg
Box dimensions:	515 x 515 x 350mm

Mounting:

Mounting:	304 stainless steel mounting bracket
-----------	--------------------------------------

Electrical Specifications:

Operating voltage:	100-277 VAC 50/60Hz
--------------------	---------------------

Operating temperature:	-40°C to +55°C
------------------------	----------------

Total system power consumption:	See ordering table
---------------------------------	--------------------

EMC:	EN 55015 IEC 61000-3-3 IEC 61547 IEC 61000-4-2 IEC 61000-4-3 IEC 61000-4-6 IEC 61000-4-8 IEC 61000-4-11
------	--

Transient protection:	6kV/3kA combination wave, as per IEEE C62.41, line-line and line-ground IEC 61000-4-5 IEC 61000-4-4
-----------------------	---

THD:	IEC 55015 <20% @ 100-277 VAC
------	------------------------------

Harmonics:	IEC 61000-3-2, Class C
------------	------------------------

Power factor:	>0.9 @ 100-277 VAC
---------------	--------------------

Flicker:	IEC 61000-3-3
----------	---------------

Dimming:	DALI 1.0 and 2.0 - 100-5% 0-10 VDC continuous dimming - 100-5% Wireless dimming via optional Dialight IntelliLED controls - 100-5%
----------	--

Cable entry:	(3) M20
--------------	---------

Terminals:	5 position, 0.5-4 mm ²
------------	-----------------------------------

Materials:

Housing:	Polycarbonate (upper) Aluminium (lower)
----------	--

Lens:	Polycarbonate Glass and acrylic options also available
-------	---

Hardware:	304 stainless steel
-----------	---------------------

Hook:	304 stainless steel
-------	---------------------

Fixture finish:	Superior dual coat finish - sealed polyester topcoat - epoxy primer
-----------------	---

Gaskets:

Light engine:	Santoprene
---------------	------------

Wiring box:	EPDM
-------------	------

Photometric Information:

CRI:	80
------	----

CCT:	5000K (cool white) 4000K (neutral white) options available consult factory
------	--

All values typical unless otherwise stated (tolerance +/- 10%)

WARNING - INSTALLATION & SECONDARY RETENTION. Use of any Dialight products without proper installation (including secondary retention / netting) and periodic inspections could cause severe injury or death. Dialight recommends that all installations should use secondary retention / netting (appropriate to the installation environment) where applicable. It is the exclusive responsibility of the contractor, installer and/or end-user to: (a) determine the suitability of the product for its intended application; and, (b) ensure that the product is safely installed (with secondary retention / netting where appropriate) and in compliance with all applicable laws and regulations. To the extent permissible under applicable laws, Dialight disclaims all liability for personal injury and/or other damage resulting from any dislodgment or other dislocation of its products.

Reliant™ LED High Bay

Ordering Information

Part Number	Fixture Lumen	Wattage	lm/W	CCT	Lens	Beam Distribution	Controls
DALI Models							
RRE-4MC2-JDHN-NGN	33,800	232	146	5000K (cool white)	Polycarbonate Clear	Medium	DALI
RRE-4AC2-JDHN-NGN	33,800	232	146			Aisle	
RRE-4MC2-GDHN-NGN	28,200	191	148			Medium	
RRE-4AC2-GDHN-NGN	28,200	191	148			Aisle	
RRE-4MC2-EDHN-NGN	22,800	159	143			Medium	
RRE-4AC2-EDHN-NGN	22,800	159	143			Aisle	
RRE-4MC2-CDHN-NGN	16,900	114	148			Medium	
RRE-4AC2-CDHN-NGN	16,900	114	148			Aisle	
RRE-4MC2-BDHN-NGN	13,400	91	147			Medium	
RRE-4AC2-BDHN-NGN	13,400	91	147			Aisle	
RRE-4MC2-ADHN-NGN	10,600	71	149			Medium	
RRE-4AC2-ADHN-NGN	10,600	71	149			Aisle	

All values typical unless otherwise stated (tolerance +/- 10%).

Models available up to 160 lm/W with acrylic or glass lens. Please contact a Dialight sales representative.

Standard hardware options: bracket with hook.

Standby power draw < 1 watt

For additional controls options including occupancy sensor and IntelliLED wireless controls, contact a Dialight sales representative or see spec sheet.

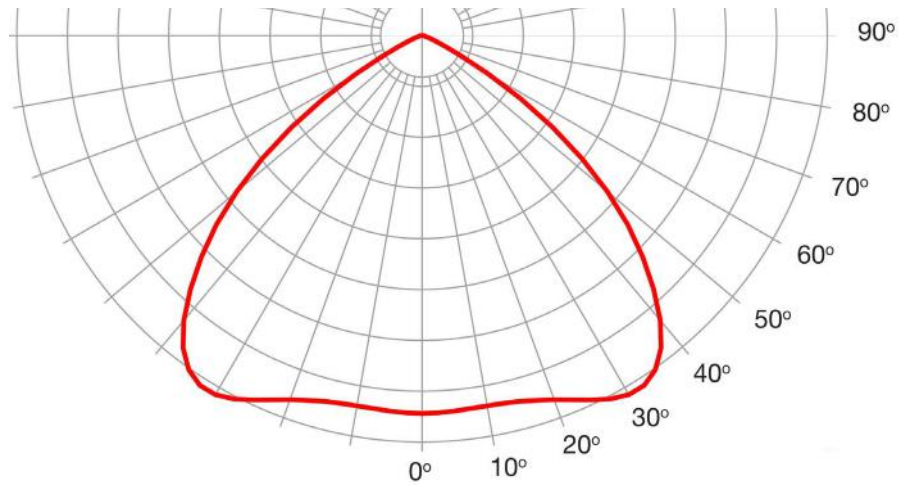
Accessory part numbers available on page 15

DALI models are also compatible with 0-10V dimming

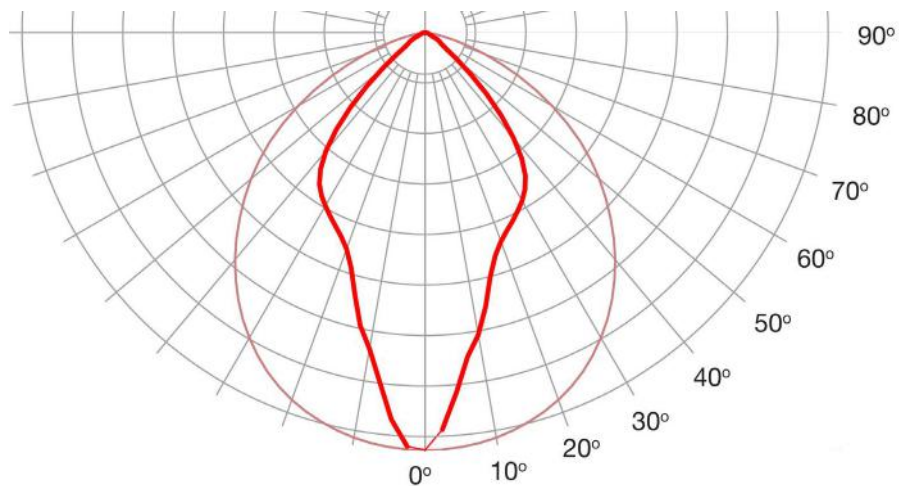
Reliant™ LED High Bay

Beam Distribution

Medium



Aisle



Reliant™ LED High Bay

Technical Information



HBXCAB48

- 1.2m long stainless steel safety rope (for use with included safety bracket)



RR-CP-OCC-DALI

- CPEBDHSMBDD (side mounted) DALI enabled occupancy sensor



RR-WS-OCC-212

- Wattstopper FSP 212 (centre mounted) occupancy sensor



RR-CP-OCC-REM

- Remote for CP occupancy sensor



RR-WIRELESS-1

- IntelliLED wireless control

Part Number	Description
HBXCAB48	1.2m long stainless steel safety rope (for use with safety bracket)
RR-WIRELESS-1	IntelliLED wireless controls - basic
RR-WS-OCC-212	Wattstopper FSP 212 (centre mounted) occupancy sensor
RR-CP-OCC-DALI	CPEBDHSMBDD (side mounted) DALI enabled occupancy sensor
RR-CP-OCC-REM	Remote for CP occupancy sensor

For additional controls options including IntelliLED wireless controls, contact a Dialight sales representative for spec sheet.

DISCLAIMER. All product information provided is, to the best of Dialight's knowledge, accurate as of the date of publication. When ordering, refer to www.dialight.com for current versions of: (a) relevant product documentation (including the relevant product data sheets); (b) Dialight terms and conditions of sale; and, (c) the relevant product warranty. To the extent that any contract is deemed formed between Dialight and the purchaser of Dialight products and/or an end-user, versions of documents available at www.dialight.com as at the date of sale shall be the versions incorporated therein. In the event of any discrepancy between this document or information provided at www.dialight.com, the latter shall prevail.

Vigilant® Ultra-Efficient LED High Bay

Technical Information



Corded Model



Mechanical Information:

Fixture weight:
8.2 kg (18 lbs)

Shipping weight:
10.9 kg (24 lbs)

Mounting:
Stainless Steel Hook

Power Cord:
3 meters, H07RN-F or H07BN4-F Heavy Duty

Prefix: HEE

Integrated Wiring Box



Mechanical Information:

Fixture weight:
9.1 kg (20 lbs)

Shipping weight:
11.8 kg (26 lbs)

Mounting:
Various Kits (see page 9)

Wiring Box Cable Entries:
M25 x 3

Terminals:
0.5-4mm² x 5

Prefix: HWE

Certifications & Ratings:

EN 60598-1:2015,	IK10 to EN 50102
IEC 60598-1:2014	(Polycarbonate lens)
EN 60598-2-1:1989,	IK06 to EN 50102 (Acrylic lens)
IEC 60598-2-1:2020	IK05 to EN 50102 (Glass lens)
IEC60068	D-Marking to EN 60598 2-24
Salt spray testing - severity 1	L70 >150,000 hours @ 25°C
IP66 to EN 60529	ambient

Variable Dimming as Standard:

Variable Dimming Control: DALI enabled
0-10 VDC

Dimming Range: 10 VDC = 100% light output
0 VDC = <10% light output

Electrical Specifications:

Operating Voltage: 100-277 VAC
120-250 VDC

Total system power consumption: See table

Operating Temp: -40°C to +65°C

Harmonics: IEC 61000-3-2

Noise requirement /EMC: EN 61547: 2009
Radiated and Conducted Emissions: EN 55015

EMC Immunity: EN 61547: 2009

Transient protection: 100-277 VAC models tested to withstand up to 8kV/4kA per IEEE C62.41.
347-480 VAC models tested to withstand up to 6kV/3kA per IEEE C62.41

THD: < 20%

Power Factor: > 0.9

Construction:

Housing: Copper-free aluminium

Finish: Superior dual coat finish
-Sealed polyester topcoat
-Chemical-resistant epoxy primer

Lens: See table

Screws: Stainless steel 316

Photometric Information:

CRI: 80, 70

CCT: 5000K (cool white)
4000K (neutral white)

All values typical unless otherwise stated (tolerance +/- 10%)

Comparison		
	Warranty	L70
Dialight LED High Bay	10yr	>150,000
Metal Halide	1	15,000
High Pressure Sodium	1	20,000

WARNING - INSTALLATION & SECONDARY RETENTION. Use of any Dialight products without proper installation (including secondary retention / netting) and periodic inspections could cause severe injury or death. Dialight recommends that all installations should use secondary retention / netting (appropriate to the installation environment) where applicable. It is the exclusive responsibility of the contractor, installer and/or end-user to: (a) determine the suitability of the product for its intended application; and, (b) ensure that the product is safely installed (with secondary retention / netting where appropriate) and in compliance with all applicable laws and regulations. To the extent permissible under applicable laws, Dialight disclaims all liability for personal injury and/or other damage resulting from any dislodgment or other dislocation of its products.

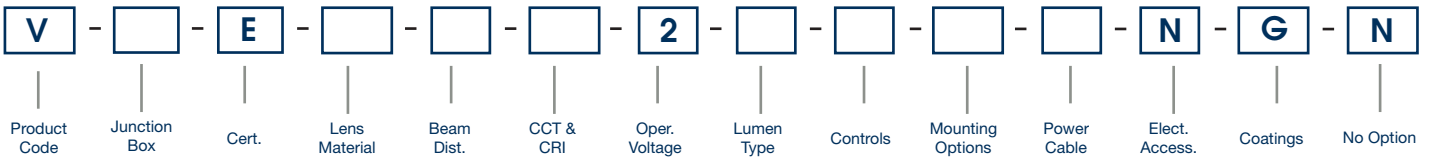
Vigilant® Ultra-Efficient LED High Bay

Ordering Information



Project Information		Specifications	
Part Number:			
Project:			
Fixture Type:		Date:	

Ordering Information



Product Code	CCT & CRI	Controls	Electrical Accessories*
V Vigilant® Ultra-Efficient	B Cool White 5000K - 70 CRI	A DALI Enabled ³	N No Plug
	C Cool White 5000K - 80 CRI	D Continuous Dimming	*Cord & plug options available upon request
Junction Box	L Neutral White 4000K - 70 CRI	J IntelliLED Wireless	
E No Junction Box	N Neutral White 4000K - 80 CRI	N No Option	
W Wiring Box		Q Microwave Occupancy Sensor 40' ²	
Certification	Operating Voltage	Mounting Options	Coatings
E CE	2 100-277 VAC / 120-250 VDC	H Hook	G Gray (RAL 7040)
Lens Material	Lumen Type ¹	N 3/4" NPT	
4 Polycarbonate - Clear	A 12,100 Lumens	P Secondary Retention Bracket	
7 Tempered Glass - Clear	B 15,000 Lumens		
L Polycarbonate Dome - Diffused	C 19,100 Lumens	Option	
	E 26,300 Lumens	N No Option	
	F 30,900 Lumens		
Beam Distribution	H 35,700 Lumens	Power Cable	
M Medium	J 41,300 Lumens	N No Cord (Wiring Box only)	
W Wide		W 3 meter [10'] Power Cable	
R High Efficacy Round			

Notes

- 1) Lumen type based on using a glass lens, round optic, 70 CRI. See page 10 for output of other options.
- 2) Occupancy Sensor models are dry locations only and are IP6X rated with a -20°C to +65°C ambient temperature range.
- 3) DALI available with integrated wiring box models VWE only.

DISCLAIMER. All product information provided is, to the best of Dialight's knowledge, accurate as of the date of publication. When ordering, refer to www.dialight.com for current versions of: (a) relevant product documentation (including the relevant product data sheets); (b) Dialight terms and conditions of sale; and, (c) the relevant product warranty. To the extent that any contract is deemed formed between Dialight and the purchaser of Dialight products and/or an end-user, versions of documents available at www.dialight.com as at the date of sale shall be the versions incorporated therein. In the event of any discrepancy between this document or information provided at www.dialight.com, the latter shall prevail.



Vigilant® LED High Bay

Technical Specifications

Corded Model



Mechanical Information:

Fixture weight:
8.2 kg (18 lbs)

Shipping weight:
10.9 kg (24 lbs)

Mounting:
Stainless Steel Hook

Power Cord:
3 meters, H07RN-F or
H07BN4-F Heavy Duty

Prefix: HEE

Integrated Wiring Box



Mechanical Information:

Fixture weight:
9.1 kg (20 lbs)

Shipping weight:
11.8 kg (26 lbs)

Mounting:
Various Kits (see page 9)

Wiring Box Cable Entries:
M25 x 3

Terminals:
0.5-4mm² x 5

Prefix: HWE

Comparison

	Warranty	L70
Dialight LED High Bay	10yr	>150,000
Metal Halide	1	15,000
High Pressure Sodium	1	20,000

Certifications & Ratings:

EN 60598-1:2015, IEC 60598-1:2014	IK10 to EN 50102 (Polycarbonate lens)
EN 60598-2-1:1989, IEC 60598-2-1:2020	IK06 to EN 50102 (Acrylic lens) IK05 to EN 50102 (Glass lens)
IEC60068	D-Marking to EN 60598 2-24
Salt spray testing - severity 1	L70 >150,000 hours @ 25°C ambient
IP66 to EN 60529	

Variable Dimming as Standard:

Variable Dimming Control: 0-10 VDC

Dimming Range: 10 VDC = 100% light output
0 VDC = <10% light output

Electrical Specifications:

Operating Voltage: 100-277 VAC
120-250 VDC

Total system power consumption: See table

Operating Temp: -40°C to +65°C

Harmonics: IEC 61000-3-2

Noise requirement /EMC: EN 61547: 2009
Radiated and Conducted Emissions: EN 55015

EMC Immunity: EN 61547: 2009

Transient protection: 100-277 VAC models tested to withstand up to 8kV/4kA per IEEE C62.41.
347-480 VAC models tested to withstand up to 6kV/3kA per IEEE C62.41

THD: < 20%

Power Factor: > 0.9

Construction:

Housing: Copper-free aluminium

Finish: Superior dual coat finish
-Sealed polyester topcoat
-Chemical-resistant epoxy primer

Lens: See table

Screws: Stainless steel 316

Photometric Information:

CRI: 80

CCT: 5000K (cool white)
4000K (neutral white)

All values typical unless otherwise stated (tolerance +/- 10%)

WARNING - INSTALLATION & SECONDARY RETENTION. Use of any Dialight products without proper installation (including secondary retention / netting) and periodic inspections could cause severe injury or death. Dialight recommends that all installations should use secondary retention / netting (appropriate to the installation environment) where applicable. It is the exclusive responsibility of the contractor, installer and/or end-user to: (a) determine the suitability of the product for its intended application; and, (b) ensure that the product is safely installed (with secondary retention / netting where appropriate) and in compliance with all applicable laws and regulations. To the extent permissible under applicable laws, Dialight disclaims all liability for personal injury and/or other damage resulting from any dislodgment or other dislocation of its products.

Vigilant® LED High Bay

Ordering Information



Standard Model with 3 Meter Cable & Hook Mount									
Part Number	Legacy Part Number	Lumens	Watts	lm/W	Voltage	CCT	CRI	Lens	Beam Distribution
HEE-7MC2-ENHW-NGN	HEEGMC4PNHNG	27,500	185	149	100-277 VAC, 120-250 VDC	5000K	80	Clear Glass	Medium
HEE-4MC2-ENHW-NGN	HEE2MC4PNHNG	27,200	185	147	100-277 VAC, 120-250 VDC	5000K	80	Clear Polycarbonate	Medium
HEE-LMC2-ENHW-NGN	HEELMC4PNHNG	27,000	185	146	100-277 VAC, 120-250 VDC	5000K	80	Diffused Domed Polycarbonate	Medium
HEE-7EC2-ENHW-NGN	HEEGEC4PNHNG	25,900	185	140	100-277 VAC, 120-250 VDC	5000K	80	Clear Glass	Oval
HEE-4EC2-ENHW-NGN	HEE2EC4PNHNG	25,600	185	138	100-277 VAC, 120-250 VDC	5000K	80	Clear Polycarbonate	Oval
HEE-LEC2-ENHW-NGN	HEELEC4PNHNG	25,300	185	137	100-277 VAC, 120-250 VDC	5000K	80	Diffused Domed Polycarbonate	Oval
HEE-7MC2-CNHW-NGN	HEEGMC4KNHNG	19,800	130	152	100-277 VAC, 120-250 VDC	5000K	80	Clear Glass	Medium
HEE-4MC2-CNHW-NGN	HEE2MC4KNHNG	19,600	130	151	100-277 VAC, 120-250 VDC	5000K	80	Clear Polycarbonate	Medium
HEE-LMC2-CNHW-NGN	HEELMC4KNHNG	19,400	130	149	100-277 VAC, 120-250 VDC	5000K	80	Diffused Domed Polycarbonate	Medium
HEE-7EC2-CNHW-NGN	HEEGEC4KNHNG	18,600	130	143	100-277 VAC, 120-250 VDC	5000K	80	Clear Glass	Oval
HEE-4EC2-CNHW-NGN	HEE2EC4KNHNG	18,400	130	142	100-277 VAC, 120-250 VDC	5000K	80	Clear Polycarbonate	Oval
HEE-LEC2-CNHW-NGN	HEELEC4KNHNG	18,200	130	140	100-277 VAC, 120-250 VDC	5000K	80	Diffused Domed Polycarbonate	Oval
HEE-7MC2-BNHW-NGN	HEEGMC4GNHNG	14,900	100	149	100-277 VAC, 120-250 VDC	5000K	80	Clear Glass	Medium
HEE-4MC2-BNHW-NGN	HEE2MC4GNHNG	14,800	100	148	100-277 VAC, 120-250 VDC	5000K	80	Clear Polycarbonate	Medium
HEE-LMC2-BNHW-NGN	HEELMC4GNHNG	14,600	100	146	100-277 VAC, 120-250 VDC	5000K	80	Diffused Domed Polycarbonate	Medium
HEE-7EC2-BNHW-NGN	HEEGEC4GNHNG	14,000	100	140	100-277 VAC, 120-250 VDC	5000K	80	Clear Glass	Oval
HEE-4EC2-BNHW-NGN	HEE2EC4GNHNG	13,900	100	139	100-277 VAC, 120-250 VDC	5000K	80	Clear Polycarbonate	Oval
HEE-LEC2-BNHW-NGN	HEELEC4GNHNG	13,700	100	137	100-277 VAC, 120-250 VDC	5000K	80	Diffused Domed Polycarbonate	Oval
HEE-7MC2-ANHW-NGN	HEEGMC4DNHNG	11,600	80	145	100-277 VAC, 120-250 VDC	5000K	80	Clear Glass	Medium
HEE-4MC2-ANHW-NGN	HEE2MC4DNHNG	11,500	80	144	100-277 VAC, 120-250 VDC	5000K	80	Clear Polycarbonate	Medium
HEE-LMC2-ANHW-NGN	HEELMC4DNHNG	11,400	80	143	100-277 VAC, 120-250 VDC	5000K	80	Diffused Domed Polycarbonate	Medium
HEE-7EC2-ANHW-NGN	HEEGEC4DNHNG	10,900	80	136	100-277 VAC, 120-250 VDC	5000K	80	Clear Glass	Oval
HEE-4EC2-ANHW-NGN	HEE2EC4DNHNG	10,800	80	135	100-277 VAC, 120-250 VDC	5000K	80	Clear Polycarbonate	Oval
HEE-LEC2-ANHW-NGN	HEELEC4DNHNG	10,700	80	134	100-277 VAC, 120-250 VDC	5000K	80	Diffused Domed Polycarbonate	Oval

Notes

Note 1: Models in chart above are 5000K CCT. For 4000K CCT change the 6th character from C to N & deduct 3% from the lumen table.

Note 2: Flat clear acrylic lens available, consult local Dialight sales office for availability.

DISCLAIMER. All product information provided is, to the best of Dialight's knowledge, accurate as of the date of publication. When ordering, refer to www.dialight.com for current versions of: (a) relevant product documentation (including the relevant product data sheets); (b) Dialight terms and conditions of sale; and, (c) the relevant product warranty. To the extent that any contract is deemed formed between Dialight and the purchaser of Dialight products and/or an end-user, versions of documents available at www.dialight.com as at the date of sale shall be the versions incorporated therein. In the event of any discrepancy between this document or information provided at www.dialight.com, the latter shall prevail.

Vigilant® LED High Bay

Ordering Information



Integrated Wiring Box - Standard with HBXW3 Bracket

Part Number	Legacy Part Number	Lumens	Watts	lm/W	Voltage	CCT	CRI	Lens	Beam Distribution
HWE-7MC2-EDAN-NGN	HEEGMC4PNJNG	27,500	185	149	100-277 VAC, 120-250 VDC	5000K	80	Clear Glass	Medium
HWE-4MC2-EDAN-NGN	HEE2MC4PNJNG	27,200	185	147	100-277 VAC, 120-250 VDC	5000K	80	Clear Polycarbonate	Medium
HWE-LMC2-EDAN-NGN	HEELMC4PNJNG	27,000	185	146	100-277 VAC, 120-250 VDC	5000K	80	Diffused Domed Polycarbonate	Medium
HWE-7EC2-EDAN-NGN	HEEGEC4PNJNG	25,900	185	140	100-277 VAC, 120-250 VDC	5000K	80	Clear Glass	Oval
HWE-4EC2-EDAN-NGN	HEE2EC4PNJNG	25,600	185	138	100-277 VAC, 120-250 VDC	5000K	80	Clear Polycarbonate	Oval
HWE-LEC2-EDAN-NGN	HEELEC4PNJNG	25,300	185	137	100-277 VAC, 120-250 VDC	5000K	80	Diffused Domed Polycarbonate	Oval
HWE-7MC2-CDAN-NGN	HEEGMC4KNJNG	19,800	130	152	100-277 VAC, 120-250 VDC	5000K	80	Clear Glass	Medium
HWE-4MC2-CDAN-NGN	HEE2MC4KNJNG	19,600	130	151	100-277 VAC, 120-250 VDC	5000K	80	Clear Polycarbonate	Medium
HWE-LMC2-CDAN-NGN	HEELMC4KNJNG	19,400	130	149	100-277 VAC, 120-250 VDC	5000K	80	Diffused Domed Polycarbonate	Medium
HWE-7EC2-CDAN-NGN	HEEGEC4KNJNG	18,600	130	143	100-277 VAC, 120-250 VDC	5000K	80	Clear Glass	Oval
HWE-4EC2-CDAN-NGN	HEE2EC4KNJNG	18,400	130	142	100-277 VAC, 120-250 VDC	5000K	80	Clear Polycarbonate	Oval
HWE-LEC2-CDAN-NGN	HEELEC4KNJNG	18,200	130	140	100-277 VAC, 120-250 VDC	5000K	80	Diffused Domed Polycarbonate	Oval
HWE-7MC2-BDAN-NGN	HEEGMC4GNJNG	14,900	100	149	100-277 VAC, 120-250 VDC	5000K	80	Clear Glass	Medium
HWE-4MC2-BDAN-NGN	HEE2MC4GNJNG	14,800	100	148	100-277 VAC, 120-250 VDC	5000K	80	Clear Polycarbonate	Medium
HWE-LMC2-BDAN-NGN	HEELMC4GNJNG	14,600	100	146	100-277 VAC, 120-250 VDC	5000K	80	Diffused Domed Polycarbonate	Medium
HWE-7EC2-BDAN-NGN	HEEGEC4GNJNG	14,000	100	140	100-277 VAC, 120-250 VDC	5000K	80	Clear Glass	Oval
HWE-4EC2-BDAN-NGN	HEE2EC4GNJNG	13,900	100	139	100-277 VAC, 120-250 VDC	5000K	80	Clear Polycarbonate	Oval
HWE-LEC2-BDAN-NGN	HEELEC4GNJNG	13,700	100	137	100-277 VAC, 120-250 VDC	5000K	80	Diffused Domed Polycarbonate	Oval
HWE-7MC2-ADAN-NGN	HEEGMC4DNJNG	11,600	80	145	100-277 VAC, 120-250 VDC	5000K	80	Clear Glass	Medium
HWE-4MC2-ADAN-NGN	HEE2MC4DNJNG	11,500	80	144	100-277 VAC, 120-250 VDC	5000K	80	Clear Polycarbonate	Medium
HWE-LMC2-ADAN-NGN	HEELMC4DNJNG	11,400	80	143	100-277 VAC, 120-250 VDC	5000K	80	Diffused Domed Polycarbonate	Medium
HWE-7EC2-ADAN-NGN	HEEGEC4DNJNG	10,900	80	136	100-277 VAC, 120-250 VDC	5000K	80	Clear Glass	Oval
HWE-4EC2-ADAN-NGN	HEE2EC4DNJNG	10,800	80	135	100-277 VAC, 120-250 VDC	5000K	80	Clear Polycarbonate	Oval
HWE-LEC2-ADAN-NGN	HEELEC4DNJNG	10,700	80	134	100-277 VAC, 120-250 VDC	5000K	80	Diffused Domed Polycarbonate	Oval

Notes

Note 1: Models in chart above are 5000K CCT. For 4000K CCT change the 6th character from C to N & deduct 3% from the lumen table.

Note 2: Flat clear acrylic lens available. Consult local Dialight sales office for availability.

Note 3: Occupancy sensor options available. Consult local Dialight sales office for availability.

DISCLAIMER. All product information provided is, to the best of Dialight's knowledge, accurate as of the date of publication. When ordering, refer to www.dialight.com for current versions of: (a) relevant product documentation (including the relevant product data sheets); (b) Dialight terms and conditions of sale; and, (c) the relevant product warranty. To the extent that any contract is deemed formed between Dialight and the purchaser of Dialight products and/or an end-user, versions of documents available at www.dialight.com as at the date of sale shall be the versions incorporated therein. In the event of any discrepancy between this document or information provided at www.dialight.com, the latter shall prevail.

Vigilant® LED High Bay

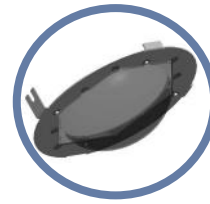
Accessories & Beam Distribution



- HBXW3-SSL-316M**
- 316 stainless steel bracket
- HBXW3-SSL-304M**
- 304 stainless steel bracket



- HBXCAB48**
- 48" long stainless steel safety rope (for use with safety bracket)
 - Includes 2 cables



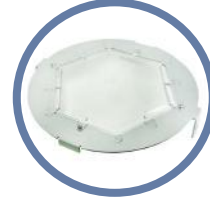
- HBXSBDK**
- Sand blast kit (dome lens)
- HBXSBDL**
- Sacrificial dome lens



- HBXW3-SSL-304FTM**
- 304 stainless steel forward throw bracket
- HBXW3-SSL-316FTM**
- 316 stainless steel forward throw bracket



- HBXSB Safety Tabs**
- 316 stainless steel
 - Includes 4 tabs



- HBXSBL**
- Sand blast kit (flat lens)
 - Sacrificial flat lens



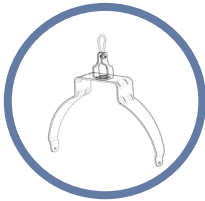
- HBXW3**
- Powder-coated aluminium swivel bracket



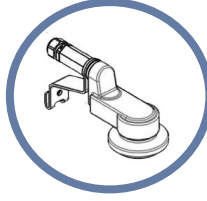
- HBXGS**
- Glare shield (internal use only, for use with flat lens)



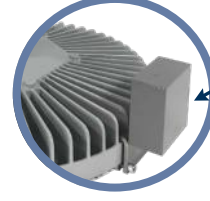
- HBXFSIRREMOTE**
- Remote for occupancy sensor



- HBXW3EUHOOK**
- Swivel bracket with hanging hook

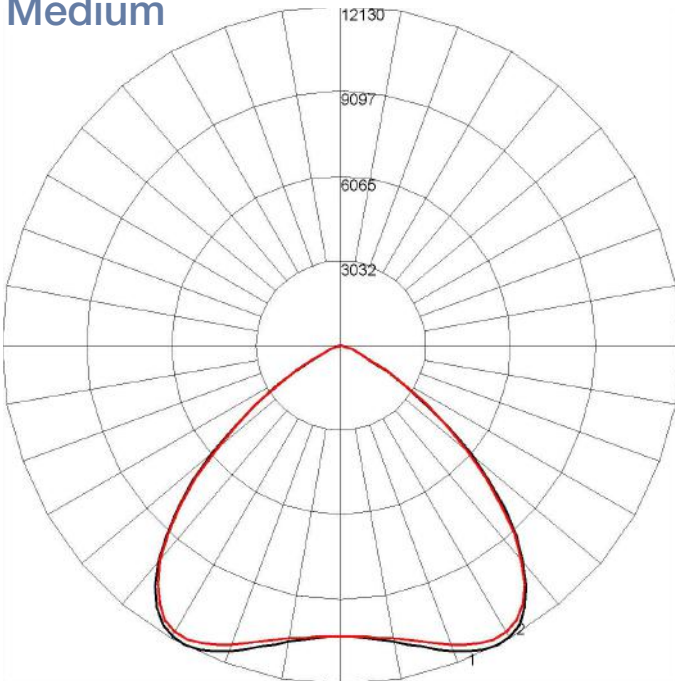


- HBXOCC100277E**
- Field installable occupancy sensor for models prefixed with HWE or HCE



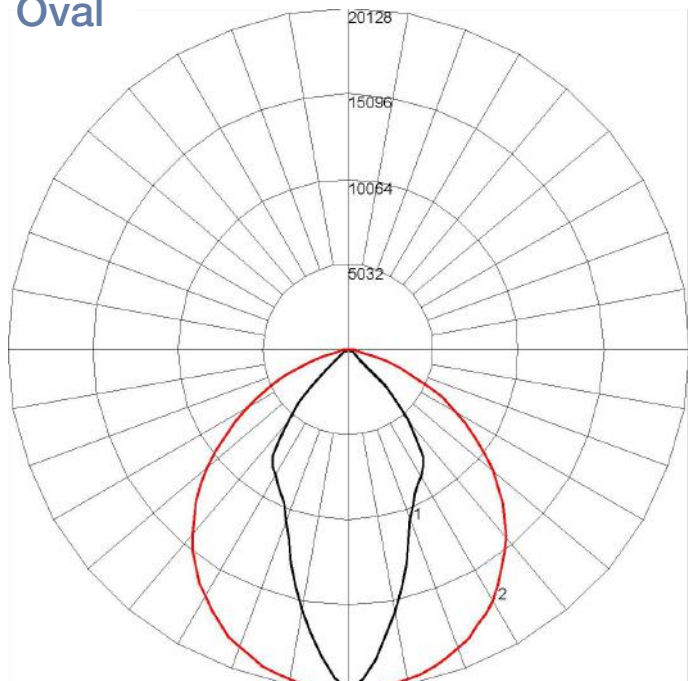
- HBXCBOCCFSPG**
- Sensor counterbalance
 - Powder coated steel
- HBXCBOCCFSPK**
- Sensor counterbalance
 - 316 stainless steel

Medium



Maximum Candela = 12129.5 Located At Horizontal Angle = 0, Vertical Angle = 27.5
 # 1 - Vertical Plane Through Horizontal Angles (0 - 180)
 # 2 - Vertical Plane Through Horizontal Angles (90 - 270)

Oval



Maximum Candela = 20128.4 Located At Horizontal Angle = 85, Vertical Angle = 2.5
 # 1 - Vertical Plane Through Horizontal Angles (0 - 180)
 # 2 - Vertical Plane Through Horizontal Angles (90 - 270)

DISCLAIMER. All product information provided is, to the best of Dialight's knowledge, accurate as of the date of publication. When ordering, refer to www.dialight.com for current versions of: (a) relevant product documentation (including the relevant product data sheets); (b) Dialight terms and conditions of sale; and, (c) the relevant product warranty. To the extent that any contract is deemed formed between Dialight and the purchaser of Dialight products and/or an end-user, versions of documents available at www.dialight.com as at the date of sale shall be the versions incorporated therein. In the event of any discrepancy between this document or information provided at www.dialight.com, the latter shall prevail.

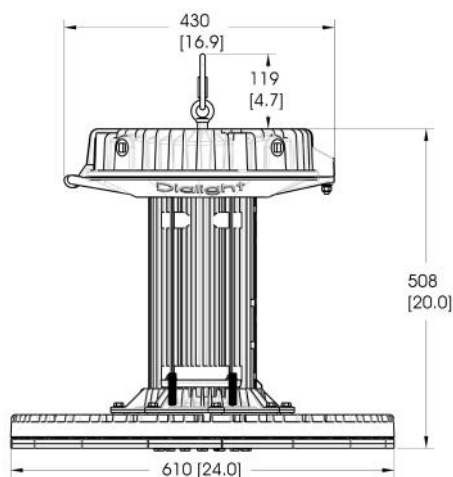
Vigilant® LED High Output High Bay

Standard Models



Certifications & Ratings

- CE
 - EN 55015:2013
 - EN 60598:2008
 - EN 61547:2009
 - EN 62471:2008
- ENEC
 - RCM
 - IK06 to EN50102
 - IP66/67
 - 10 year warranty
 - L70 >150,000 hours @ 25°C ambient



Dimensions in mm [inches]

Mechanical Information:

120-277 VAC model
complete fixture weight: 28.6 kg (63.1 lbs)
 Wiring box: 3.2 kg (7.1 lbs) [mount first]
 Light engine (base): 25.4 kg (56.0 lbs) [mount last]

Shipping weight: 37.5 kg (82.6 lbs)

415 VAC model
complete fixture weight: 35.8 kg (79 lbs)
 Wiring box: 10.4 kg (23 lbs) [mount first]
 Light engine (base): 25.4 kg (56.0 lbs) [mount last]

Shipping weight: 44.7 kg (98.6 lbs)

Note that the wire box is installed separately from the housing. This allows single installer for fixtures.

Box dimensions (cm): Length - 64, Width - 56.5, Height - 72.7

Mounting: Hook mount
Secondary retention standard

Cable entry: (4) M25 - sides

Terminals: 5 position, 0.5-4 mm²

Materials:

Housing: Die cast aluminium alloy A360

Hardware: 18-8 stainless steel

Hook: 304 stainless steel

Safety shackle: 304 stainless steel

Safety rope: Optional 316 stainless steel safety rope, 304 stainless steel crimp

Gaskets:

Light engine: Santoprene

Wiring box: Silicone

Power supply (ends): EPDM

Lens: Tempered glass, acrylic or UV stabilized polycarbonate

Fixture finish: Superior dual coat finish
 - Sealed polyester topcoat
 - Chemical-resistant epoxy primer

Electrical Specifications:

Operating voltage: 120-277 VAC, 50/60 Hz
415 VAC

Operating temperature: -40°C to +65°C (-40°F to +149°F)

Total system power consumption: See table

EMC: EN 62493: 2015, EN 61547: 2009, EN 61000-3-2: 2015, EN 61000-3-3: 2013

Transient protection: 6kV/3kA combination wave, as per IEEE C62.41, line-line and line-ground

THD: EN55015:2013 < 20%

Harmonics: IEC 61000-3-2, Class C

Power factor: > 0.9

Variable Dimming:

Variable dimming control: 0-10 VDC

Dimming range: 10 VDC = 100% light output
0 VDC = 5% light output

Photometric Information:

CRI: 80

CCT: 5000K (cool white)
4000K (neutral white)

All values typical unless otherwise stated (tolerance +/- 10%)

WARNING - INSTALLATION & SECONDARY RETENTION. Use of any Dialight products without proper installation (including secondary retention / netting) and periodic inspections could cause severe injury or death. Dialight recommends that all installations should use secondary retention / netting (appropriate to the installation environment) where applicable. It is the exclusive responsibility of the contractor, installer and/or end-user to: (a) determine the suitability of the product for its intended application; and, (b) ensure that the product is safely installed (with secondary retention / netting where appropriate) and in compliance with all applicable laws and regulations. To the extent permissible under applicable laws, Dialight disclaims all liability for personal injury and/or other damage resulting from any dislodgment or other dislocation of its products.

Vigilant® LED High Output High Bay

Ordering Information



Part Number	Fixture Lumen	Watt	lm/W	IP Rating	Voltage	CCT	Lens	Beam Distribution
CE Standard Models - 120-277 VAC Models								
H6E-7MC2-RDHN-NGN	72,000	484	149	IP66/67	120-277 VAC	5000K (cool white)	Tempered glass	Medium
H6E-7NC2-RDHN-NGN	72,000	484	149	IP66/67	120-277 VAC	5000K (cool white)	Tempered glass	Narrow
H6E-7MC2-NDHN-NGN	60,000	414	145	IP66/67	120-277 VAC	5000K (cool white)	Tempered glass	Medium
H6E-7NC2-NDHN-NGN	60,000	414	145	IP66/67	120-277 VAC	5000K (cool white)	Tempered glass	Narrow
H6E-7MC2-KDHN-NGN	45,000	309	146	IP66/67	120-277 VAC	5000K (cool white)	Tempered glass	Medium
H6E-7NC2-KDHN-NGN	45,000	309	146	IP66/67	120-277 VAC	5000K (cool white)	Tempered glass	Narrow

All values typical unless otherwise stated (tolerance +/- 10%).

All models shown in table are 5000K (cool white) CCT. For 4000K (neutral white) CCT replace the 6th character with an **N**.

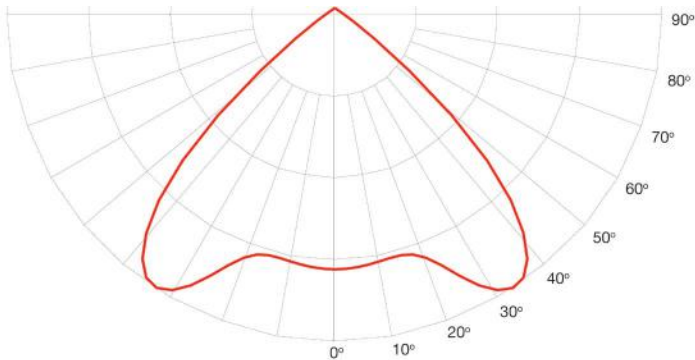
Example: H6E-7MC2-RDHN-NGN becomes H6E-7MN2-RDHN-NGN.

45,000 lumen output fixture available with factory installed occupancy sensor for mounting heights of up to 12m. Consult factory for more information.

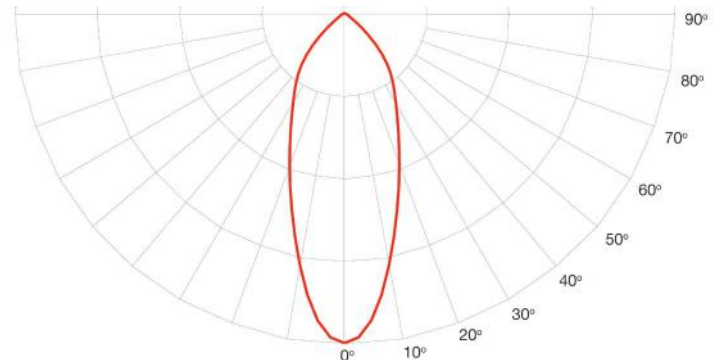
415 VAC options available, please consult local Dialight sales office for availability.

Acrylic and polycarbonate lens options available on made-to-order basis, please consult local Dialight sales office for availability.

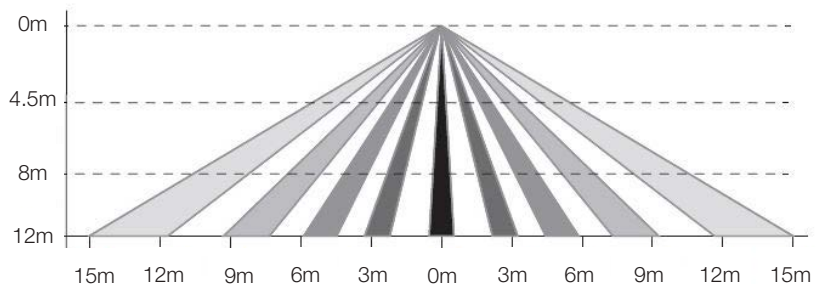
Medium



Narrow



Coverage Side View



HBXFSIRREMOTE

- Remote for occupancy sensor
- 45,000 lumen output fixture available with factory installed occupancy sensor for mounting heights of up to 12m. Consult factory for more information.

DISCLAIMER. All product information provided is, to the best of Dialight's knowledge, accurate as of the date of publication. When ordering, refer to www.dialight.com for current versions of: (a) relevant product documentation (including the relevant product data sheets); (b) Dialight terms and conditions of sale; and, (c) the relevant product warranty. To the extent that any contract is deemed formed between Dialight and the purchaser of Dialight products and/or an end-user, versions of documents available at www.dialight.com as at the date of sale shall be the versions incorporated therein. In the event of any discrepancy between this document or information provided at www.dialight.com, the latter shall prevail.

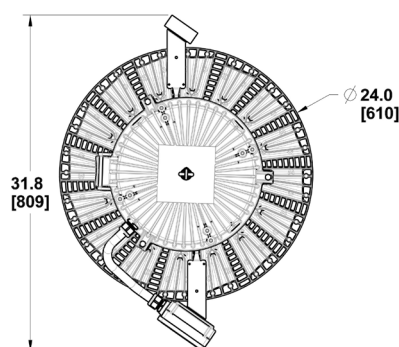
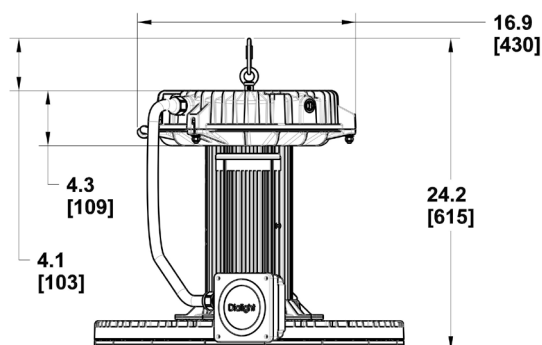
Vigilant® LED High Output High Bay - DALI

Technical Specification



Certifications & Ratings (High Output High Bay)

- CE
 - EN 55015:2013
 - EN 60598:2008
 - EN 61547:2009
 - EN 62471:2008
- ENEC
 - RCM
 - IK06 to EN50102
 - IP66/67
 - 10 year warranty
 - L70 >150,000 hours @ 25°C ambient



Dimensions in mm [inches]

Mechanical Information (High Output):

Fixture weight:	32.2 kg - 120-277 VAC models 39.5 kg - 347/480 VAC models
Shipping weight:	38.6 kg - 120-277 VAC models 45.8 kg - 347/480 VAC models

Note that the wire box is installed separately from the housing. This allows single installer for fixtures.

120-277 VAC wire box:	6.6 kg [mount first]
347/480 VAC wire box:	6.3 kg [mount first]
Light fixture (base):	25.6 kg [mount last]

Box dimensions (cm): Length - 64, Width - 56.5, Height - 72.7

Mounting: Hook mount

Cable entry: (3) M25 - sides

Terminals: 5 position, 0.5-4 mm²

Technical Information (DALI):

Maximum number of units:	64
Maximum number of addresses:	64
Signal level:	+/- 16V
Maximum cable length:	300m
Cable topology:	Chain, star, tree, line
Maximum messages/second:	40
Maximum number of groups:	16
Maximum number of scenes per luminaire:	16
Certifications:	CE, ENEC

Electrical Specifications (High Output):

Operating voltage: 120-277 VAC, 50/60Hz
347/480 VAC, 50/60Hz

Total system power consumption: See table

Operating temp: -40°C to +65°C

Harmonics: IEC 61000-3-2

Noise requirement /EMC: EN 62493: 2015, EN 61547: 2009,
EN 61000-3-2: 2015,
EN 61000-3-3: 2013

Transient protection: 6kV/3kA combination wave, as per IEEE C62.41, line-line and line-ground

THD: <20%

Power factor: >0.9

Construction (High Output):

Housing:	Copper free aluminum
Finish:	Superior dual coat finish - Sealed polyester topcoat - Chemical-resistant epoxy primer
Lens:	Tempered glass, acrylic, polycarbonate

Photometric Information (High Output):

CRI:	80
CCT:	5000K (cool white) 4000K (neutral white)

All values typical unless otherwise stated (tolerance +/- 10%)

WARNING - INSTALLATION & SECONDARY RETENTION. Use of any Dialight products without proper installation (including secondary retention / netting) and periodic inspections could cause severe injury or death. Dialight recommends that all installations should use secondary retention / netting (appropriate to the installation environment) where applicable. It is the exclusive responsibility of the contractor, installer and/or end-user to: (a) determine the suitability of the product for its intended application; and, (b) ensure that the product is safely installed (with secondary retention / netting where appropriate) and in compliance with all applicable laws and regulations. To the extent permissible under applicable laws, Dialight disclaims all liability for personal injury and/or other damage resulting from any dislodgment or other dislocation of its products.

Vigilant® LED High Output High Bay - DALI

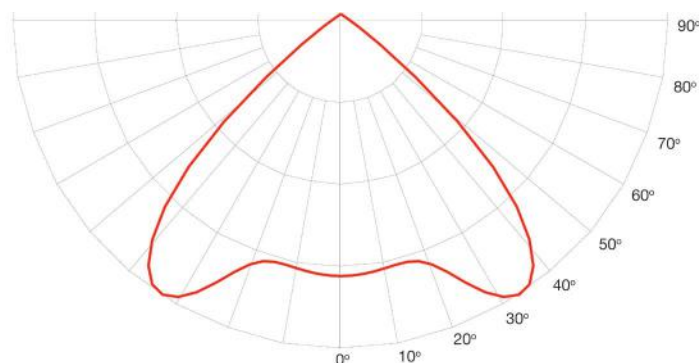
Ordering Information & Beam Distribution



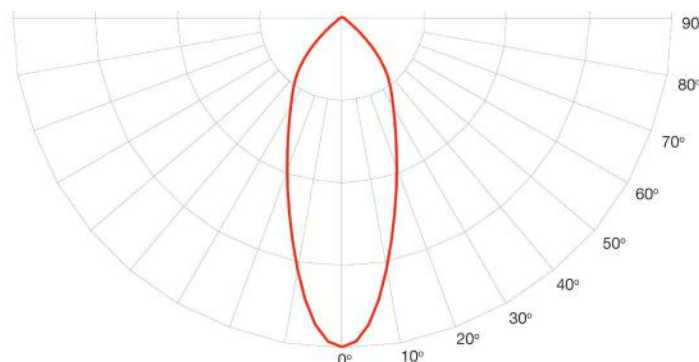
Part Number	Lumens	Wattage	lm/W	IP Rating	Voltage	Colour Temperature (CCT)	Lens	Beam Distribution
High Output High Bay - DALI								
H6E-7MC2-RAHN-NGN	72,000	484	149	IP66	120-277 VAC	5000K (cool white)	Glass	Medium
H6E-7NC2-RAHN-NGN	72,000	484	149	IP66	120-277 VAC	5000K (cool white)	Glass	Narrow
H6E-7MC2-NAHN-NGN	60,000	414	145	IP66	120-277 VAC	5000K (cool white)	Glass	Medium
H6E-7NC2-NAHN-NGN	60,000	414	145	IP66	120-277 VAC	5000K (cool white)	Glass	Narrow
H6E-7MC2-KAHN-NGN	45,000	309	146	IP66	120-277 VAC	5000K (cool white)	Glass	Medium
H6E-7NC2-KAHN-NGN	45,000	309	146	IP66	120-277 VAC	5000K (cool white)	Glass	Narrow

All values typical unless otherwise stated (tolerance +/- 10%).

Medium



Narrow



DISCLAIMER. All product information provided is, to the best of Dialight's knowledge, accurate as of the date of publication. When ordering, refer to www.dialight.com for current versions of: (a) relevant product documentation (including the relevant product data sheets); (b) Dialight terms and conditions of sale; and, (c) the relevant product warranty. To the extent that any contract is deemed formed between Dialight and the purchaser of Dialight products and/or an end-user, versions of documents available at www.dialight.com as at the date of sale shall be the versions incorporated therein. In the event of any discrepancy between this document or information provided at www.dialight.com, the latter shall prevail.

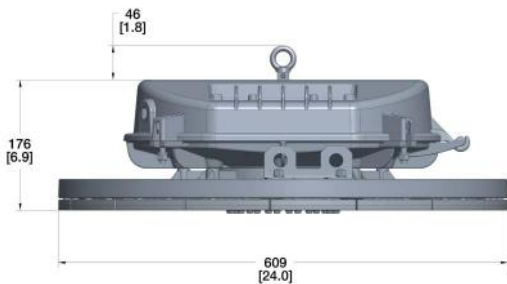
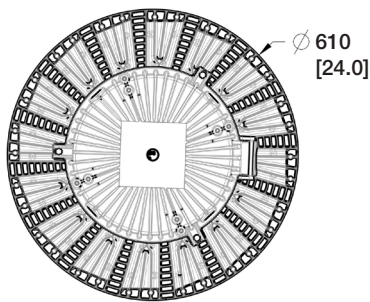
Vigilant® LED High Output High Bay - Low Profile

Technical Specification



Certifications & Ratings

- 10 year warranty
- CE / RCM / ENEC
- IP66/67
- IK10 (polycarbonate) / IK06 (glass)
- L70 > 150,000 hours
- Factory installed secondary retention bracket, optional safety cable accessory available



Dimensions in mm [inches]

Mechanical Information:

Weight (120-277 VAC):	21.8 kg (48 lbs)
Weight (415 VAC):	22.2 kg (49 lbs)
Shipping weight:	28.1 kg (62 lbs)
Mounting:	(1) Loop
Wiring entries:	(2) M25

Materials:

Housing:	A360 Die-cast aluminium
Finish:	Superior dual coat finish - Sealed polyester topcoat - Chemical-resistant epoxy primer

Lens options: Glass, Acrylic or Polycarbonate

Hardware: 316 Stainless Steel

Electrical Specifications:

Operating voltage:	120-277 VAC, 50/60Hz 415 VAC, 50/60Hz
---------------------------	--

Total system power consumption: See table

Operating temperature: -40°C to +65°C

Harmonics: IEC 61000-3-2 Class C

Surge protection: Tested to IEC 61000-4-5
6kV/3kA, 1.2/50, 8/20us
Combination wave
Line-line and line-ground

THD: < 20%

Power factor: > 0.9

Photometric Information:

CRI:	80
CCT:	5000K (cool white) 4000K (neutral white)

All values typical unless otherwise stated (tolerance +/- 10%)

WARNING - INSTALLATION & SECONDARY RETENTION. Use of any Dialight products without proper installation (including secondary retention / netting) and periodic inspections could cause severe injury or death. Dialight recommends that all installations should use secondary retention / netting (appropriate to the installation environment) where applicable. It is the exclusive responsibility of the contractor, installer and/or end-user to: (a) determine the suitability of the product for its intended application; and, (b) ensure that the product is safely installed (with secondary retention / netting where appropriate) and in compliance with all applicable laws and regulations. To the extent permissible under applicable laws, Dialight disclaims all liability for personal injury and/or other damage resulting from any dislodgment or other dislocation of its products.

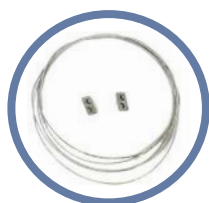
Vigilant® LED High Output High Bay - Low Profile

Ordering Information & Mounting Accessories

Part Number	Fixture Lumen	Watt	lm/W	IP Rating	Voltage	CCT	Lens	Beam Distribution
H7E-7MC2-RDHN-NGN	70,500	485	145	IP66/67	120-277 VAC	5000K (cool white)	Glass	Medium
H7E-7NC2-RDHN-NGN	70,500	485	145	IP66/67	120-277 VAC	5000K (cool white)	Glass	Narrow
H7E-7MC2-NDHN-NGN	61,200	418	146	IP66/67	120-277 VAC	5000K (cool white)	Glass	Medium
H7E-7NC2-NDHN-NGN	61,200	418	146	IP66/67	120-277 VAC	5000K (cool white)	Glass	Narrow
H7E-7MC2-KDHN-NGN	46,000	300	153	IP66/67	120-277 VAC	5000K (cool white)	Glass	Medium
H7E-7NC2-KDHN-NGN	46,000	300	153	IP66/67	120-277 VAC	5000K (cool white)	Glass	Narrow

All values typical unless otherwise stated (tolerance +/- 10%).

Neutral white color temperature (4000K) is available for products in the above table. Replace the sixth character **C** with **N**. Ex. H7E-7MC**C**2-RDHN-NGN becomes H7E-7MN**N**2-RDHN-NGN.



H6XCAB72

- 72" stainless steel safety rope

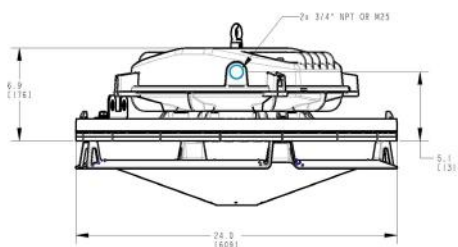
H6XCAB60

- 60" stainless steel safety rope



H6XDIFFUSER

- Diffuser
- Patent pending



Dimensions in inches [mm]

DISCLAIMER. All product information provided is, to the best of Dialight's knowledge, accurate as of the date of publication. When ordering, refer to www.dialight.com for current versions of: (a) relevant product documentation (including the relevant product data sheets); (b) Dialight terms and conditions of sale; and, (c) the relevant product warranty. To the extent that any contract is deemed formed between Dialight and the purchaser of Dialight products and/or an end-user, versions of documents available at www.dialight.com as at the date of sale shall be the versions incorporated therein. In the event of any discrepancy between this document or information provided at www.dialight.com, the latter shall prevail.

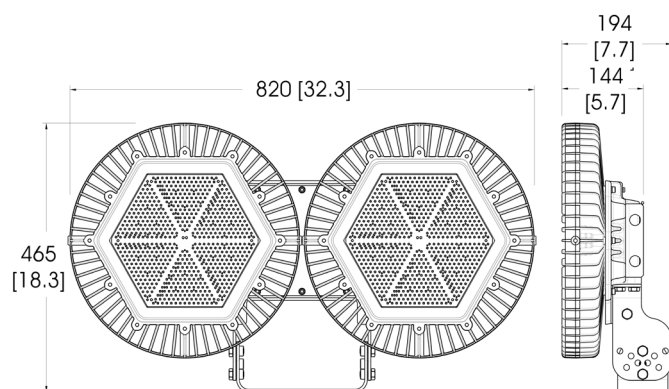
Vigilant® LED Dual Floodlight

Technical Specifications



Certifications & Ratings

- CE
- EN 55015
- EN 61547
- EN 60598
- EN 62031
- EN 62471
- IP66 to EN60529



Dimensions in mm [inches]

Mechanical Information:

Fixture weight:	25.4 kg (56 lbs)
Shipping weight:	27.2 kg (60 lbs)
EPA (Sq.ft):	2.69
Mounting:	304 stainless steel trunion mounting bracket included
Entries:	(2) M20 cable entries

Electrical Specifications:

Operating voltage:	120-277 VAC, 50/60Hz
Power consumption:	See table
Operating temp:	-40°C to +65°C (-40°F to +149°F)
Harmonics:	EN 55015 - conducted and radiated EN 61000-3-2 EN 61000-4-3 EN 61000-4-4 EN 61000-4-6 EN 61000-4-11
Surge protection:	6kV/2 ohm combination wave, as per IEEE C62.41, line-line and line-ground
THD:	< 20%
Power factor:	> 0.9

Construction:

Housing:	Copper-free aluminum
Finish:	Superior dual coat finish - Sealed polyester topcoat - Chemical-resistant epoxy primer
Lens:	Tempered glass

Photometric Information:

CRI:	80
CCT:	5000K (cool white) 4000K (neutral white)
Beam patterns:	100° x 65° 95° 35°

IES files: Available at www.dialight.com

All values typical unless otherwise stated (tolerance +/- 10%)

WARNING - INSTALLATION & SECONDARY RETENTION. Use of any Dialight products without proper installation (including secondary retention / netting) and periodic inspections could cause severe injury or death. Dialight recommends that all installations should use secondary retention / netting (appropriate to the installation environment) where applicable. It is the exclusive responsibility of the contractor, installer and/or end-user to: (a) determine the suitability of the product for its intended application; and, (b) ensure that the product is safely installed (with secondary retention / netting where appropriate) and in compliance with all applicable laws and regulations. To the extent permissible under applicable laws, Dialight disclaims all liability for personal injury and/or other damage resulting from any dislodgment or other dislocation of its products.

Vigilant® LED Dual Floodlight

Ordering Information & Mounting Accessories

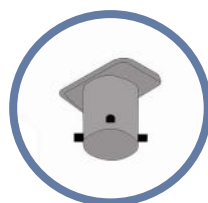
Part Number	Fixture Lumens	Wattage	lm/W	Voltage	CCT	Lens	Beam Angle	Field Angle
Dual Floodlight Models								
FLEB66MC2NG	56,000	385	145	120-277 VAC	5000K (cool white)	Clear Tempered Glass	35°	108°
FLEBM0MC2NG	54,000	385	140	120-277 VAC	5000K (cool white)	Clear Tempered Glass	92°	120°
FLEB76MC2NG	54,000	380	142	120-277 VAC	5000K (cool white)	Clear Tempered Glass	100° x 65°	135° x 105°
FLE966MC2NG	39,000	270	144	120-277 VAC	5000K (cool white)	Clear Tempered Glass	35°	108°
Single Floodlight Models								
FLE666HC2NG	27,500	185	149	100-277 VAC	5000K (cool white)	Clear Tempered Glass	35°	108°
FLE676HC2NG	26,400	185	143	100-277 VAC	5000K (cool white)	Clear Tempered Glass	100° x 65°	135° x 105°

All values typical unless otherwise stated (tolerance +/- 10%).



HZXCBL2

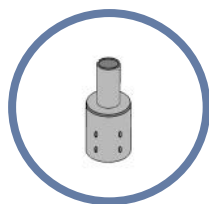
- Safety cable kit
- Kit includes: (2) Safety cables



FLX-1TPT-20DB¹

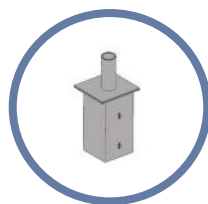
- Tenon pole topper, 2-3/8" mount
- Kit includes: Tenon topper, pole set screws, and mounting hardware

¹Bracket and adapters require tenon adapter (FLX-1TPT-20DB) to mount floodlight. Tenon adapter is sold separately.



FLX-3RPA-20DB FLX-4RPA-20DB

- Reducer for 3" or 4" OD round pole top to 2-3/8" light mount
- Kit includes: Reducer pole set screws



FLX-4SPA-20DB FLX-5SPA-20DB FLX-6SPA-20DB

- Internal tenon adapter for 4", 5" or 6" square pole top to 2-3/8" light mount
- Kit includes: Adapter

DISCLAIMER. All product information provided is, to the best of Dialight's knowledge, accurate as of the date of publication. When ordering, refer to www.dialight.com for current versions of: (a) relevant product documentation (including the relevant product data sheets); (b) Dialight terms and conditions of sale; and, (c) the relevant product warranty. To the extent that any contract is deemed formed between Dialight and the purchaser of Dialight products and/or an end-user, versions of documents available at www.dialight.com as at the date of sale shall be the versions incorporated therein. In the event of any discrepancy between this document or information provided at www.dialight.com, the latter shall prevail.

Vigilant® LED Area Light

Technical Specifications



Ratings and Certifications
• 10 year warranty
• L70 >300,000 hours @ 65°C ambient
• CE/ENEC
• IP66/67
• IK07 (glass lens) / IK10 (polycarbonate lens)

*All features not available on every model. Please refer to product part number pages for model specifics.

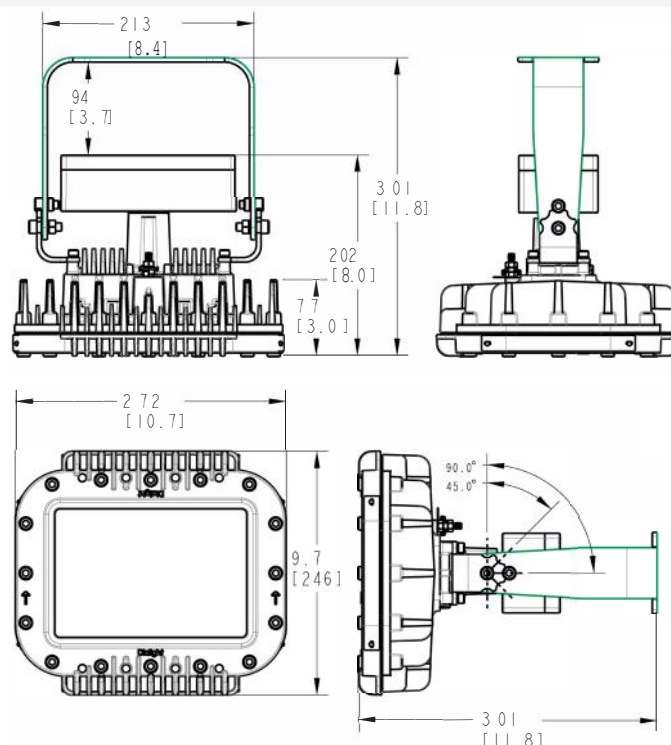
Mechanical Information	
Fixture weight:	5.2 kg (11.5 lbs)
Shipping weight:	6.1 kg (13.5 lbs)
Mounting:	316 Stainless steel mounting bracket Secondary retention standard
Cable Entries:	M20 x 2
Terminals:	4mm ² x 5

Specifications			
Voltage:	100 - 277 VAC 50/60Hz, 120-250 VDC	Housing:	Copper-free aluminium
Operating temp:	-40°C to +65°C	Finish:	Superior dual coat finish - Sealed polyester topcoat
Power factor:	>0.9	Lens:	Polycarbonate Tempered Glass
THD:	<20%	CRI:	80
Surge protection:	6kV / 3kA combination wave, as per IEEE C62.41, line-line and line-ground	CCT:	5000K (cool white)

	Comparison	
	Warranty	L70
Dialight LED Area Light	10yr	>300,000
Metal Halide	1	15,000
High Pressure Sodium	1	20,000

Lumens	Wattage	lm/W	Mounting Heights
9,000	66	136	10m
7,300	52	140	↓
5,700	40	143	3m

Dimensions



Dimension in mm [inches]

WARNING - INSTALLATION & SECONDARY RETENTION. Use of any Dialight products without proper installation (including secondary retention / netting) and periodic inspections could cause severe injury or death. Dialight recommends that all installations should use secondary retention / netting (appropriate to the installation environment) where applicable. It is the exclusive responsibility of the contractor, installer and/or end-user to: (a) determine the suitability of the product for its intended application; and, (b) ensure that the product is safely installed (with secondary retention / netting where appropriate) and in compliance with all applicable laws and regulations. To the extent permissible under applicable laws, Dialight disclaims all liability for personal injury and/or other damage resulting from any dislodgment or other dislocation of its products.

Vigilant® LED Area Light

Ordering Information

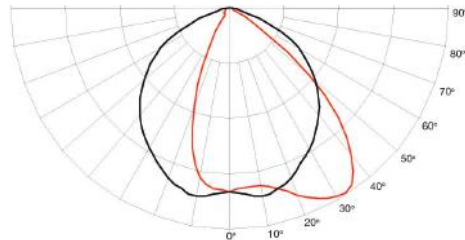
Part Number	Legacy Part Number	Lumens	Wattage	lm/W	Colour Temperature (CCT)	Lens	Beam Angle	Mounting Options	Hardware Accessories
CE with Junction Box									
ALE7AC26DBJUGN	STJW8C2GEU	5,500	40	138	5000K (cool white)	Glass	180°	316 stainless steel adjustable bracket	Junction box
ALE7AC27DBJUGN	STJWEC2GEU	7,100	52	137	5000K (cool white)	Glass	180°	316 stainless steel adjustable bracket	Junction box
ALE7AC29DBJUGN		8,800	66	133	5000K (cool white)	Glass	180°	316 stainless steel adjustable bracket	Junction box
ALE7BC26DBJUGN	STJW9C2GEU	5,700	40	143	5000K (cool white)	Glass	360°	316 stainless steel adjustable bracket	Junction box
ALE7BC27DBJUGN	STJWFC2GEU	7,300	52	140	5000K (cool white)	Glass	360°	316 stainless steel adjustable bracket	Junction box
ALE7BC29DBJUGN		9,000	66	136	5000K (cool white)	Glass	360°	316 stainless steel adjustable bracket	Junction box

All values typical unless otherwise stated (tolerance +/- 10%).

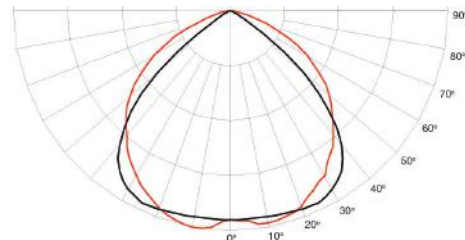
Neutral white option available, please consult local Dialight sales office for availability.

3m cable gland lead options available on made-to-order basis, please consult local Dialight sales office for availability.

Beam Distribution

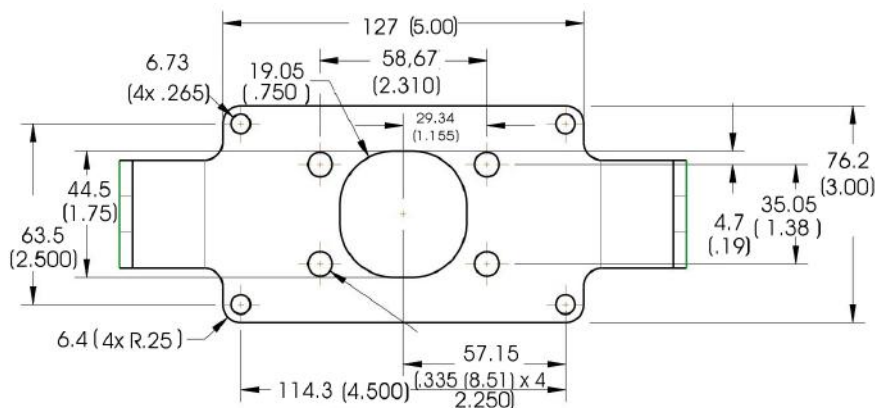


180° Beam Angle



360° Beam Angle

Factory-Installed Mounting Bracket Dimensions



Dimension in mm [inches]

DISCLAIMER. All product information provided is, to the best of Dialight's knowledge, accurate as of the date of publication. When ordering, refer to www.dialight.com for current versions of: (a) relevant product documentation (including the relevant product data sheets); (b) Dialight terms and conditions of sale; and, (c) the relevant product warranty. To the extent that any contract is deemed formed between Dialight and the purchaser of Dialight products and/or an end-user, versions of documents available at www.dialight.com as at the date of sale shall be the versions incorporated therein. In the event of any discrepancy between this document or information provided at www.dialight.com, the latter shall prevail.

Vigilant® LED Conveyor Light

Technical Specifications



Ratings and Certifications
• 10 year warranty
• L70 >300,000 hours @ 65°C ambient
• CE/ENEC
• IP66/67
• IK10 (polycarbonate lens)

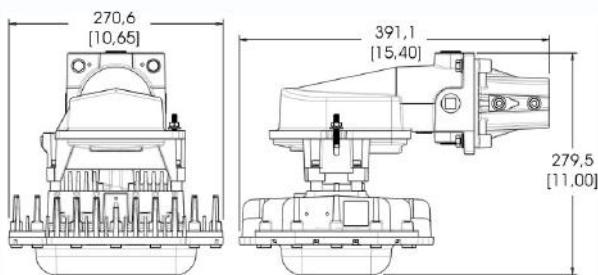
*All features not available on every model. Please refer to product part number pages for model specifics.

Mechanical Information		Specifications	
Fixture weight:	6.8 kg (15 lbs)	Voltage options:	100-277 VAC 50/60Hz, 120-250 VDC
Shipping weight:	7.7 kg (17 lbs)	Operating temp:	-40°C to +65°C
Mounting:	34mm slip-fit stanchion mount Secondary retention standard	Power factor:	>0.9
Cable Entries:	M25 x 1 rear	THD:	<20%
Terminals:	4mm ² x 5	Surge protection:	6kV / 3kA combination wave, as per IEEE C62.41, line-line and line-ground
		Housing:	Copper-free aluminium
		Finish:	Superior dual coat finish - Sealed polyester topcoat - Chemical-resistant epoxy prime
		Lens:	Polycarbonate
		CRI:	80
		CCT:	5000K (cool white)

Comparison	Warranty	
	L70	
Dialight LED Conveyor Light	10yr	>300,000
High Pressure Sodium	1	24,000
Metal Halide	1	15,000

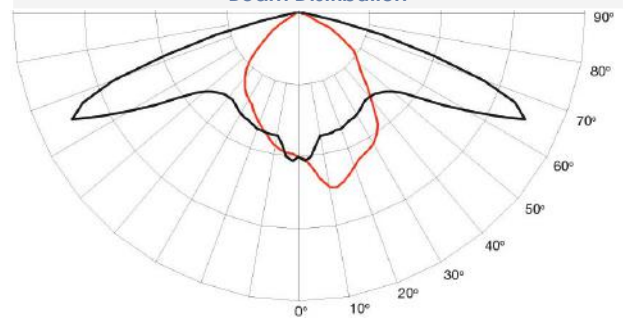
Lumens	Wattage	lm/W	Mounting Heights
6700	64	106	Up to 6m

Dimensions



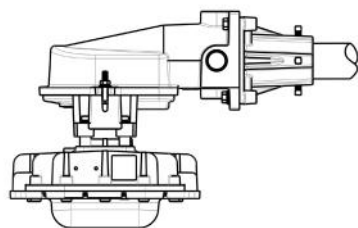
Dimension in mm [inches]

Beam Distribution



Wide

Mounting Options



34 mm Slip-Fit Stanchion Mount Junction Box

WARNING - INSTALLATION & SECONDARY RETENTION. Use of any Dialight products without proper installation (including secondary retention / netting) and periodic inspections could cause severe injury or death. Dialight recommends that all installations should use secondary retention / netting (appropriate to the installation environment) where applicable. It is the exclusive responsibility of the contractor, installer and/or end-user to: (a) determine the suitability of the product for its intended application; and, (b) ensure that the product is safely installed (with secondary retention / netting where appropriate) and in compliance with all applicable laws and regulations. To the extent permissible under applicable laws, Dialight disclaims all liability for personal injury and/or other damage resulting from any dislodgment or other dislocation of its products.

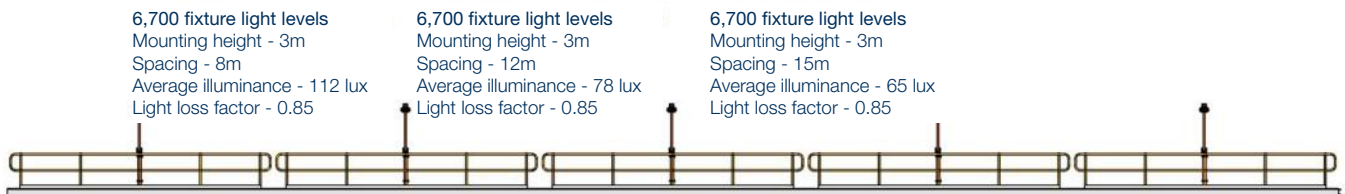
Vigilant® LED Conveyor Light

Ordering Information

Part Number	Lens Material	Beam Distribution	CCT	CRI	Lumens	Wattage	lm/W	Mounting Options
ALE5WC27DYNUGN	Polycarbonate	Wide	5000K	80	6,700	64	106	34mm slip-fit adapter

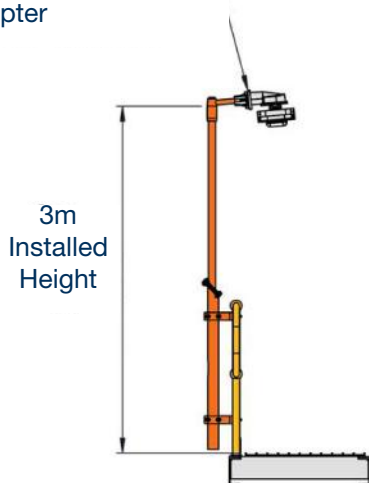
All values typical unless otherwise stated (tolerance +/- 10%).
 Neutral white option available, please consult local Dialight sales office for availability.

Spacing Table

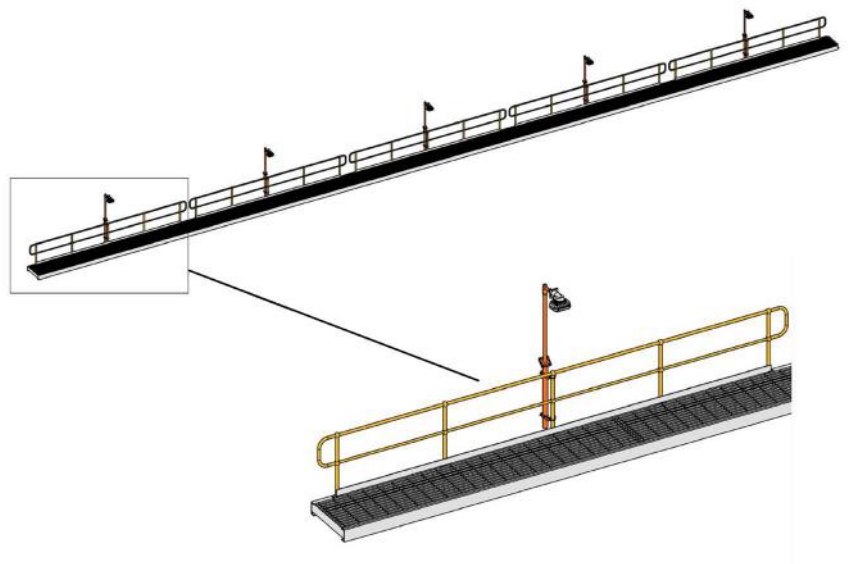


Mounting Options

Dialight Luminaire
 Conveyor Light Wall
 Mount with Pole
 Adapter



Conveyor Light Spacing



DISCLAIMER. All product information provided is, to the best of Dialight's knowledge, accurate as of the date of publication. When ordering, refer to www.dialight.com for current versions of: (a) relevant product documentation (including the relevant product data sheets); (b) Dialight terms and conditions of sale; and, (c) the relevant product warranty. To the extent that any contract is deemed formed between Dialight and the purchaser of Dialight products and/or an end-user, versions of documents available at www.dialight.com as at the date of sale shall be the versions incorporated therein. In the event of any discrepancy between this document or information provided at www.dialight.com, the latter shall prevail.

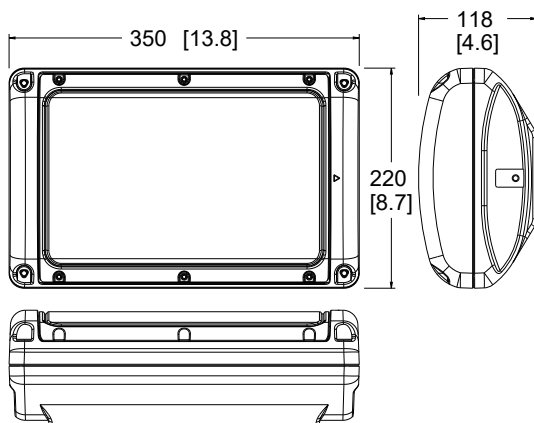
Vigilant® LED Bulkhead

Technical Specifications



Certifications & Ratings

- 10 year warranty
- CE
- IP66/67
- IK10
- L70 > 150,00 hours @ 65°C (149°F) ambient



Dimensions in mm (inches)

Mechanical Information:

Fixture weights:

Standard models: 6.3 kg (13.8 lb)

Battery backup models: 7.7 kg (17 lb)

Shipping weights:

Standard models: 7 kg (15.4 lb)

Battery backup models: 8.4 kg (18.5 lb)

Cable entry: (2) M20 - optional (4) M20

Materials:

Housing: A360 Die-cast aluminium

Finish: Superior dual coat finish
- Sealed polyester topcoat
- Epoxy primer

Lens: Polycarbonate clear
Polycarbonate diffused (optional)

Hardware: 316 Stainless Steel

Electrical Specifications:

Operating voltage:

Standard models: 100-277 VAC / 120-250 VDC

Battery backup models: 230/240 VAC

Operating temperature:

Standard models: -40°C to +65°C (-40°F to +149°F)

Battery backup models: -20°C to +55°C (-4°F to +131°F)

Surge protection:

Tested to IEC 61000-4-5
6kV/3kA, 1.2/50, 8/20us
Combination Wave
Line-line and line-ground

THD: < 18%

Power factor: > 0.9

Dimming: DALI 1.0 and 2.0
0-10 VDC continuous dimming to <10%

Battery Backup Models: (integral battery)

Battery duration* (circular optic, clear lens):

6.5k lumen outputs: 180 mins ~ 900 lm
90 mins ~ 1100 lm
60 mins ~ 1140 lm

3k lumen outputs: 180 mins ~ 800 lm
90 mins ~ 1100 lm
60 mins ~ 1140 lm

Expected battery life: 4 years

Photometric Information:

Lumen output*: 3,000 & 6,500 lm (white light)

CRI: > 80 (white light)

CCT: 5000K (cool white)
4000K (neutral white)

All values typical unless otherwise stated (tolerance +/- 10%)

* @ 25°C ambient

WARNING - INSTALLATION & SECONDARY RETENTION. Use of any Dialight products without proper installation (including secondary retention / netting) and periodic inspections could cause severe injury or death. Dialight recommends that all installations should use secondary retention / netting (appropriate to the installation environment) where applicable. It is the exclusive responsibility of the contractor, installer and/or end-user to: (a) determine the suitability of the product for its intended application; and, (b) ensure that the product is safely installed (with secondary retention / netting where appropriate) and in compliance with all applicable laws and regulations. To the extent permissible under applicable laws, Dialight disclaims all liability for personal injury and/or other damage resulting from any dislodgment or other dislocation of its products.

Vigilant® LED Bulkhead

Ordering Information

Part Number	Fixture Lumens	Wattage	lm/W	Voltage	CCT	Lens	Beam Distribution
Standard Models with Flush Bracket							
BHE-4BC2-3NFN-VGN	3,200	22	149	100-277 VAC / 120-250 VDC	5000K (cool white)	Clear Polycarbonate	Circular
BHE-4BC2-6NFN-VGN	6,700	45	149	100-277 VAC / 120-250 VDC	5000K (cool white)	Clear Polycarbonate	Circular
BHE-4UC2-3NFN-VGN	3,100	22	144	100-277 VAC / 120-250 VDC	5000K (cool white)	Clear Polycarbonate	Ultra-Wide (Type 1)
BHE-4UC2-6NFN-VGN	6,400	45	142	100-277 VAC / 120-250 VDC	5000K (cool white)	Clear Polycarbonate	Ultra-Wide (Type 1)
Battery Backup Models with Flush Bracket							
BHE-4BCG-3NFN-VGG	3,200	25	128	230/240 VAC	5000K (cool white)	Clear Polycarbonate	Circular
BHE-4BCG-6NFN-VGG	6,700	48	140	230/240 VAC	5000K (cool white)	Clear Polycarbonate	Circular
BHE-4UCG-3NFN-VGG	3,100	25	124	230/240 VAC	5000K (cool white)	Clear Polycarbonate	Ultra-Wide (Type 1)
BHE-4UCG-6NFN-VGG	6,400	48	133	230/240 VAC	5000K (cool white)	Clear Polycarbonate	Ultra-Wide (Type 1)

All values typical unless otherwise stated (tolerance +/- 10%).

Part numbers listed in **bold** are typically available in stock.

All models shown in table are 5000K (cool white) CCT. For 4000K (neutral white) CCT please contact your local representative for more information.

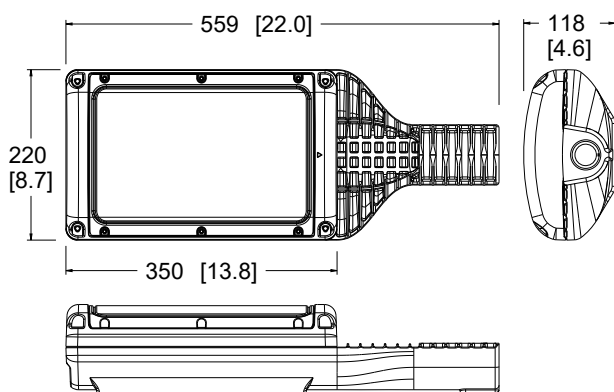
Vigilant® LED Bulkhead - Pole Mount Model

Technical Specifications



Certifications & Ratings

- 10 year warranty
- CE
- IP66/67
- IK10
- L70 > 150,00 hours @ 65°C (149°F) ambient



Dimensions in mm (inches)

Mechanical Information:

Fixture weights:

Standard models: 8.1 kg (17.9 lb)

Battery backup models: 9 kg (19.7 lb)

Shipping weights:

Standard models: 8.8 kg (19.4 lb)

Battery backup models: 9.7 kg (20.4 lb)

Cable entry: (1) M25

Spigot entry size: 35mm ID

Materials:

Housing: A360 Die-cast aluminium

Finish: Superior dual coat finish
- Sealed polyester topcoat
- Epoxy primer

Lens: Polycarbonate clear
Polycarbonate diffused (optional)

Hardware: 316 Stainless Steel

Electrical Specifications:

Operating voltage:

Standard models: 100-277 VAC / 120-250 VDC

Battery backup models: 230/240 VAC

Operating temperature:

Standard models: -40°C to +65°C (-40°F to +149°F)

Battery backup models: -20°C to +55°C (-4°F to +131°F)

Surge protection:

Tested to IEC 61000-4-5

6kV/3kA, 1.2/50, 8/20us

Combination Wave

Line-line and line-ground

THD: < 18%

Power factor: > 0.9

Dimming:

DALI 1.0 and 2.0

0-10 VDC continuous dimming to <10%

Battery Backup Models: (integral battery)

Battery duration* (circular optic, clear lens):

6.5k lumen outputs: 180 mins ~ 900 lm

90 mins ~ 1100 lm

60 mins ~ 1140 lm

3k lumen outputs:

180 mins ~ 800 lm

90 mins ~ 1100 lm

60 mins ~ 1140 lm

Expected battery life: 4 years

Photometric Information:

Lumen output*: 3,000 & 6,500 lm (white light)

CRI: > 80 (white light)

CCT: 5000K (cool white)
4000K (neutral white)

All values typical unless otherwise stated (tolerance +/- 10%)

* @ 25°C ambient

WARNING - INSTALLATION & SECONDARY RETENTION. Use of any Dialight products without proper installation (including secondary retention / netting) and periodic inspections could cause severe injury or death. Dialight recommends that all installations should use secondary retention / netting (appropriate to the installation environment) where applicable. It is the exclusive responsibility of the contractor, installer and/or end-user to: (a) determine the suitability of the product for its intended application; and, (b) ensure that the product is safely installed (with secondary retention / netting where appropriate) and in compliance with all applicable laws and regulations. To the extent permissible under applicable laws, Dialight disclaims all liability for personal injury and/or other damage resulting from any dislodgment or other dislocation of its products.

Vigilant® LED Bulkhead - Pole Mount Model

Ordering Information

Part Number	Fixture Lumens	Wattage	lm/W	Voltage	CCT	Lens	Beam Distribution
Pole Mount Models							
BPE-4BC2-3NNN-VGN	3,200	22	149	100-277 VAC / 120-250 VDC	5000K (cool white)	Clear Polycarbonate	Circular
BPE-4BC2-6NNN-VGN	6,700	45	149	100-277 VAC / 120-250 VDC	5000K (cool white)	Clear Polycarbonate	Circular
BPE-4UC2-3NNN-VGN	3,100	22	144	100-277 VAC / 120-250 VDC	5000K (cool white)	Clear Polycarbonate	Ultra-Wide (Type 1)
BPE-4UC2-6NNN-VGN	6,400	45	142	100-277 VAC / 120-250 VDC	5000K (cool white)	Clear Polycarbonate	Ultra-Wide (Type 1)
Pole Mount Battery Backup Models							
BPE-4BCG-3NNN-VGG	3,200	25	128	230/240 VAC	5000K (cool white)	Clear Polycarbonate	Circular
BPE-4BCG-6NNN-VGG	6,700	48	140	230/240 VAC	5000K (cool white)	Clear Polycarbonate	Circular
BPE-4UCG-3NNN-VGG	3,100	25	124	230/240 VAC	5000K (cool white)	Clear Polycarbonate	Ultra-Wide (Type 1)
BPE-4UCG-6NNN-VGG	6,400	48	133	230/240 VAC	5000K (cool white)	Clear Polycarbonate	Ultra-Wide (Type 1)

All values typical unless otherwise stated (tolerance +/- 10%).

Part numbers listed in **bold** are typically available in stock.

All models shown in table are 5000K (cool white) CCT. For 4000K (neutral white) CCT please contact your local representative for more information.

DuroSite® LED Floodlight

Technical Specifications



Ratings and Certifications
• 10 year warranty
• L70 >150,000 hours @ 25°C ambient
• CE
• IP66/67
• IK07 (glass lens), IK10 (polycarbonate lens)

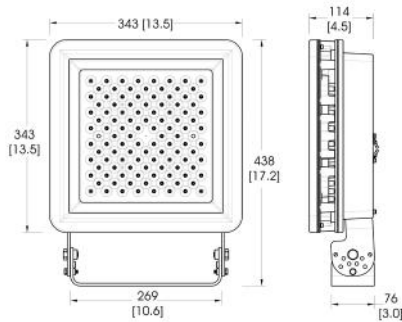
*All features not available on every model. Please refer to product part number pages for model specifics.

Mechanical Information	
Fixture weight:	
14,500 - 15,000 lm:	13.6 kg (30 lbs)
11,000 - 11,500 lm:	12.2 kg (27 lbs)
Shipping weight:	
14,500 - 15,000 lm:	15.4 kg (30 lbs)
11,000 - 11,500 lm:	14.1 kg (31 lbs)
EPA (sq.m)	0.15 sq. m (1.66 sq. ft)
Mounting:	304 Stainless steel trunnion mounting bracket included Secondary retention standard
Cable Entry:	M20 x 2
Terminals:	4mm ² x 3

Specifications			
Voltage options:	100-277 VAC, 50/60Hz	Housing:	Die cast aluminium
Operating temp:	-40°C to +65°C	Finish:	Superior dual coat finish - Sealed polyester topcoat - Chemical-resistant epoxy prime
Power factor:	>0.9	Lens:	Tempered glass Polycarbonate
THD:	<20%	CRI:	75
Surge protection:	6kV line-to-line, 6kV line-to-ground	CCT:	5000K (cool white)

Lumens	Wattage	lm/W	Mounting Heights
15,000	135	111	15m
14,750	135	109	↓
14,500	140	104	
11,500	106	108	
11,250	106	106	
11,000	106	104	

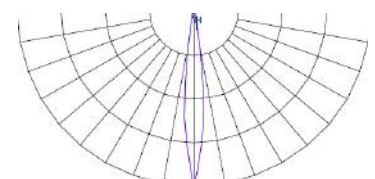
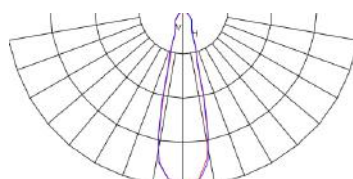
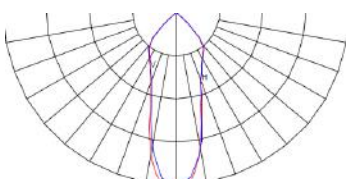
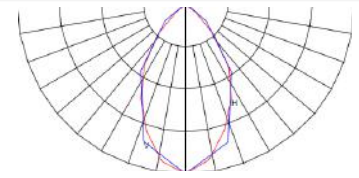
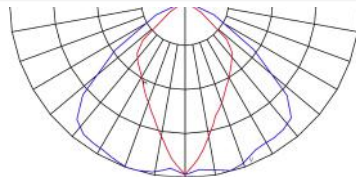
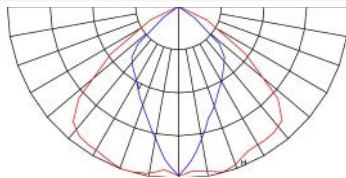
Dimensions



Dimension in mm [inches]

Comparison		
	Warranty	L70
Dialight LED Floodlight	10yr	>150,000
Metal Halide	1	15,000
High Pressure Sodium	1	20,000

Beam Distribution



WARNING - INSTALLATION & SECONDARY RETENTION. Use of any Dialight products without proper installation (including secondary retention / netting) and periodic inspections could cause severe injury or death. Dialight recommends that all installations should use secondary retention / netting (appropriate to the installation environment) where applicable. It is the exclusive responsibility of the contractor, installer and/or end-user to: (a) determine the suitability of the product for its intended application; and, (b) ensure that the product is safely installed (with secondary retention / netting where appropriate) and in compliance with all applicable laws and regulations. To the extent permissible under applicable laws, Dialight disclaims all liability for personal injury and/or other damage resulting from any dislodgment or other dislocation of its products.

DuroSite® LED Floodlight

Ordering Information & Mounting Accessories

Part Number	Lumens	Wattage	lm/W	Voltage	Colour Temperature (CCT)	Lens	Beam Angle	Field Angle
FLE466MC4NG	15,000	135	111	100-277 VAC	5000K (cool white)	Tempered glass	45°	115°
FLE476MC4NG	14,750	135	109	100-277 VAC	5000K (cool white)	Tempered glass	105° x 70°	140° x 115°
FLE467MC4NG	14,750	135	109	100-277 VAC	5000K (cool white)	Tempered glass	70° x 105°	115° x 140°
FLE455MC4NG	14,500	140	104	100-277 VAC	5000K (cool white)	Tempered glass	27°	93°
FLE444MC4NG	14,500	140	104	100-277 VAC	5000K (cool white)	Tempered glass	26°	52°
FLE276MC2NG	11,500	106	108	100-277 VAC	5000K (cool white)	Tempered glass	105° x 70°	140° x 115°
FLE266MC2NG	11,250	106	106	100-277 VAC	5000K (cool white)	Tempered glass	45°	115°
FLE255MC2NG	11,000	106	104	100-277 VAC	5000K (cool white)	Tempered glass	27°	93°

All values typical unless otherwise stated (tolerance +/- 10%).

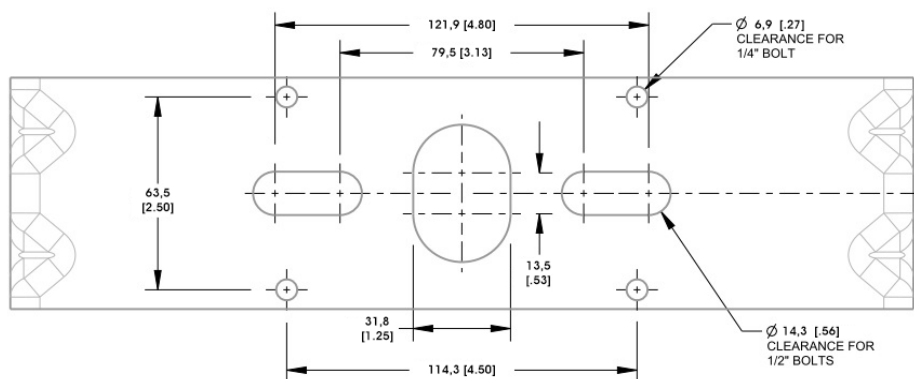
Polycarbonate lens available, please consult local Dialight sales office for availability.



HZXSAFECBLS

- Stainless steel safety cable kit

Factory-Installed Mounting Bracket Dimensions



Dimension in mm [inches]

DISCLAIMER. All product information provided is, to the best of Dialight's knowledge, accurate as of the date of publication. When ordering, refer to www.dialight.com for current versions of: (a) relevant product documentation (including the relevant product data sheets); (b) Dialight terms and conditions of sale; and, (c) the relevant product warranty. To the extent that any contract is deemed formed between Dialight and the purchaser of Dialight products and/or an end-user, versions of documents available at www.dialight.com as at the date of sale shall be the versions incorporated therein. In the event of any discrepancy between this document or information provided at www.dialight.com, the latter shall prevail.

DuroSite® LED Stainless Steel Linear



Technical Specifications



Ratings and Certifications
• 5 year warranty
• L70 >150,000 hours @ 25°C ambient
• CE
• IP66/67
• IK09

*All features not available on every model. Please refer to product part number pages for model specifics. Emergency options available, please consult your local Dialight sales office.

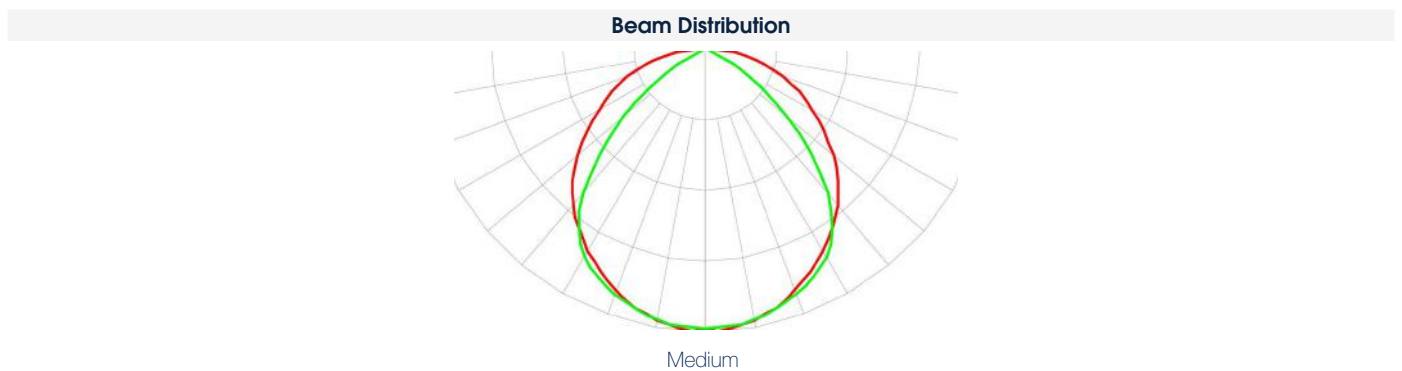
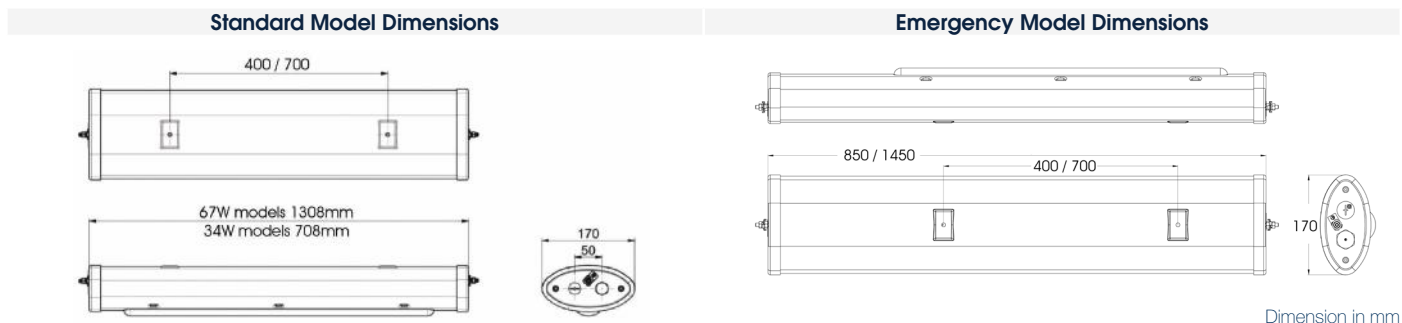
Mechanical Information	
Fixture weight:	Standard: 1308mm - 11.3 kg (25 lbs) 708mm - 6.8 kg (15 lbs)
	Emergency: 1450mm - 14.1 kg (31 lbs) 850mm - 9.1 kg (20 lbs)
Shipping weight:	Standard: 1308mm - 14.1 kg (31 lbs) 708mm - 9.1 kg (20 lbs)
	Emergency: 1450mm - 17.2 kg (38 lbs) 850mm - 11.3 kg (25 lbs)
Mounting:	(2) M8 fixing points
	Secondary retention not available
Entry:	M25 x 2 cable entries at both ends, through wired as standard. M20 options - consult sales
Terminals:	4mm ² x 7

Specifications			
Voltage options:	Standard: 100-277 VAC	Housing:	316 Marine grade stainless steel
	Emergency: 230, 240 VAC		Lens:
Operating temp:	Standard: -20°C to +60°C	CRI:	70
	Emergency: -20°C to +60°C		CCT:
Power factor:	>0.9	Surge protection:	EN 61000-4-5 1kV line-to-line, 2kV line-to-ground

Emergency Models			
Battery:	3.6V 10Ah NiMH	Duration:	@ 25°C ambient - est. >3 hours
Expected battery life:	4 years		

Comparison		
	Warranty	L70
Dialight LED Linear	5yr	>150,000
Fluorescent	1	24,000

Lumens	Wattage	lm/W	Mounting Heights
5,100	67	76	6m
			↕
2,600	34	74	3m



WARNING - INSTALLATION & SECONDARY RETENTION. Use of any Dialight products without proper installation (including secondary retention / netting) and periodic inspections could cause severe injury or death. Dialight recommends that all installations should use secondary retention / netting (appropriate to the installation environment) where applicable. It is the exclusive responsibility of the contractor, installer and/or end-user to: (a) determine the suitability of the product for its intended application; and, (b) ensure that the product is safely installed (with secondary retention / netting where appropriate) and in compliance with all applicable laws and regulations. To the extent permissible under applicable laws, Dialight disclaims all liability for personal injury and/or other damage resulting from any dislodgment or other dislocation of its products.

DuroSite® LED Stainless Steel Linear

Ordering Information & Mounting Accessories

Part Number	Lumens	Wattage	lm/W	Voltage	Colour Temperature (CCT)	Lens	Beam Distribution
Standard Model - 100-277 VAC							
EL-1C6R-SSCB4	5,100	67	76	100-277 VAC	5000K (cool white)	Polycarbonate	Medium
EL-1C6M-SSCB4	2,600	34	76	100-277 VAC	5000K (cool white)	Polycarbonate	Medium
Emergency Model - 230-240 VAC							
ELE-2C7R-SSCB4	5,100	70	73	230-240 VAC	5000K (cool white)	Polycarbonate	Medium
ELE-2C7M-SSCB4	2,600	35	74	230-240 VAC	5000K (cool white)	Polycarbonate	Medium

All values typical unless otherwise stated (tolerance +/- 10%).
 M20 cable entry options available, please consult local Dialight sales office for availability.
 Neutral white options available, please consult local Dialight sales office for availability.



ELXCMBSS
 • 316 Marine Grade Stainless steel ceiling mount kit



ELXPCSS42
 • 37Ø - 44mm range 316 Marine Grade Stainless steel pole clamp



ELXWMBSS30
 • 30° 316 Marine Grade Stainless steel wall mount kit



ELXEYESS
 • 316 Marine Grade Stainless steel eyelet kit

ELXPCSS47
 • 44Ø - 50mm range 316 Marine Grade Stainless steel pole clamp

ELXWMBSS45
 • 45° 316 Marine Grade Stainless steel wall mount kit



ELX-BATT-KIT
 • 3.6V NiMH battery kit

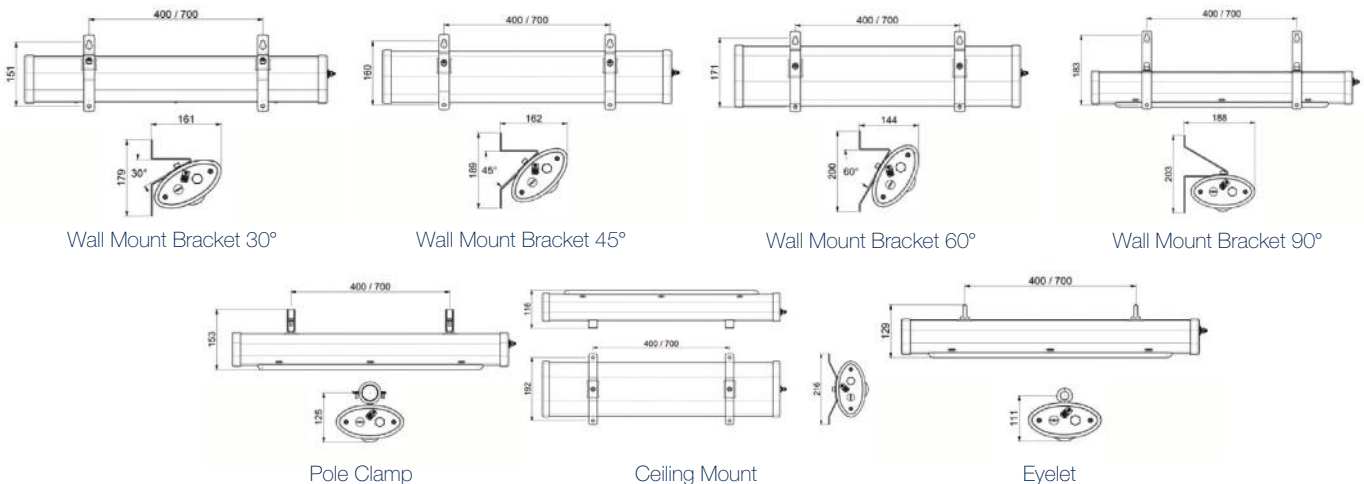
ELXPCSS54
 • 50Ø - 58mm range 316 Marine Grade Stainless steel pole clamp

ELXWMBSS60
 • 60° 316 Marine Grade stainless steel wall mount kit

ELXPCSS59
 • 58Ø - 68mm range 316 Marine Grade Stainless steel pole clamp

ELXWMBSS90
 • 90° 316 Marine Grade Stainless steel wall mount kit

Mounting Options



DISCLAIMER. All product information provided is, to the best of Dialight's knowledge, accurate as of the date of publication. When ordering, refer to www.dialight.com for current versions of: (a) relevant product documentation (including the relevant product data sheets); (b) Dialight terms and conditions of sale; and, (c) the relevant product warranty. To the extent that any contract is deemed formed between Dialight and the purchaser of Dialight products and/or an end-user, versions of documents available at www.dialight.com as at the date of sale shall be the versions incorporated therein. In the event of any discrepancy between this document or information provided at www.dialight.com, the latter shall prevail.

SafeSite® LED High Bay

Technical Specification



Certifications & Ratings (All Models)

- IECEx/ATEX Zones 1, 21
- IECEx/ATEX Zones 2, 22
- CE
- ABS Design Assessed: (pending)
- IP66
- IK10
- RoHS compliant
- HEA IECEx BAS 10.0074X BaseefaATEX0148X
- HEH IECEx BAS 12.0044X Baseefa12ATEX0070X

Certifications & Ratings (IIB Models)

- Ex II 2 GD
- Ex d* IIB T4 Gb
- Ex tb IIIC 135°C Db

*Add Ex e for factory fitted junction box

Certifications & Ratings (IIB + Hydrogen Models)

- Ex II 2 GD
- Ex d* IIB+H2 T4 Gb
- Ex tb IIIC 135°C Db

*Add Ex e for factory fitted junction box

Mechanical Information

Fixture weight:	14.1 kg (31 lbs) with fixed cable
	15.4 kg (34 lbs) with junction box
Mounting:	316 grade stainless steel bracket (included)
	Secondary retention option available
Wiring options:	M25 x 2
Terminals:	4mm ² x 3

Temperature Ratings

Ambient Temperature Range T4

-40°C to +65°C

Specifications

Voltage options:		Housing:	Copper-free aluminium
100-277 VAC	16,000lm & lower models	Lens:	Tempered glass (optional fragment retention available)
110-277 VAC	23,500lm models	Finish:	Superior dual coat finish - Sealed polyester topcoat - Chemical-resistant epoxy prime
Operating temp:	-40°C to +65°C	CRI:	75 typical
Power factor:	>0.9	CCT:	5000K (cool white)
THD:	<20%		4000K (neutral white)
Surge protection:	Protection devices capable of handling up to 6kV. Tested for 6kV/2 ohm combination wave, as per IEEE C62.41, line-line and line-ground		

Comparison

	Warranty	L70	T-Rating
Dialight LED High Bay	10yr	>150,000	T4
Metal Halide	1	15,000	T2
High Pressure Sodium	1	20,000	T2

Lumens

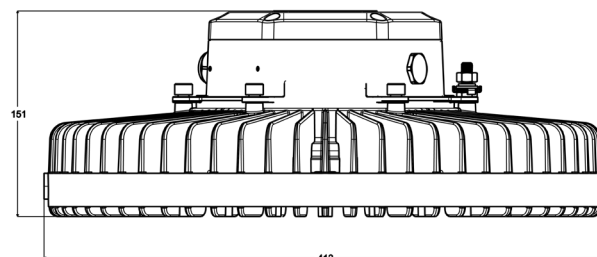
Wattage

lm/W

Mounting Heights

23,500	212	110	12m
16,000	144	110	↕
12,500	112	110	
9,650	88	110	5m

Dimensions



Dimension in mm

WARNING - INSTALLATION & SECONDARY RETENTION. Use of any Dialight products without proper installation (including secondary retention / netting) and periodic inspections could cause severe injury or death. Dialight recommends that all installations should use secondary retention / netting (appropriate to the installation environment) where applicable. It is the exclusive responsibility of the contractor, installer and/or end-user to: (a) determine the suitability of the product for its intended application; and, (b) ensure that the product is safely installed (with secondary retention / netting where appropriate) and in compliance with all applicable laws and regulations. To the extent permissible under applicable laws, Dialight disclaims all liability for personal injury and/or other damage resulting from any dislodgment or other dislocation of its products.

SafeSite® LED High Bay

Ordering Information & Mounting Accessories

Part Number	Lumens	Wattage	lm/W	Voltage	Colour Temperature (CCT)	Lens	Beam Distribution
Junction Box Models							
HEA9MC4PN-KCG	23,500	212	110	110-277 VAC	5000K (cool white)	Glass	Medium
HEA9MC4KN-KCG	16,000	144	110	100-277 VAC	5000K (cool white)	Glass	Medium
HEA9MC4GN-KCG	12,500	112	110	100-277 VAC	5000K (cool white)	Glass	Medium
HEA9MC4DN-KCG	9,650	88	110	100-277 VAC	5000K (cool white)	Glass	Medium
Hydrogen Environment - Standard Models							
HEH9MC4PN-BCG	23,500	212	110	110-277 VAC	5000K (cool white)	Glass	Medium
HEH9MC4KN-BCG	16,000	144	110	100-277 VAC	5000K (cool white)	Glass	Medium
HEH9MC4GN-BCG	12,500	112	110	100-277 VAC	5000K (cool white)	Glass	Medium
HEH9MC4DN-BCG	9,650	88	110	100-277 VAC	5000K (cool white)	Glass	Medium

All values typical unless otherwise stated (tolerance +/- 10%).

Models in chart above are 5000K CCT. For 4000K CCT change the 6th character from C to N & deduct 3% from the lumen table.

For optional glass fragment retention film, change the 11th character from a Q to a E.

Junction box models come standard with M25 entries. For M20 cable entries and leaded versions please consult local Dialight sales office for availability.



HBXW3-SS

- 316 stainless steel swivel bracket (included with fixture)



HBXSBK

- Sand blast kit (flat lens)

HBXSBL

- Sacrificial flat lens



HBXW3-SSL-316M

- 316 Stainless steel bracket

HBXW3-SSL-304M

- 304 Stainless steel bracket



HBXSBDK

- Sand blast kit (dome lens)

HBXSBDL

- Sacrificial dome lens



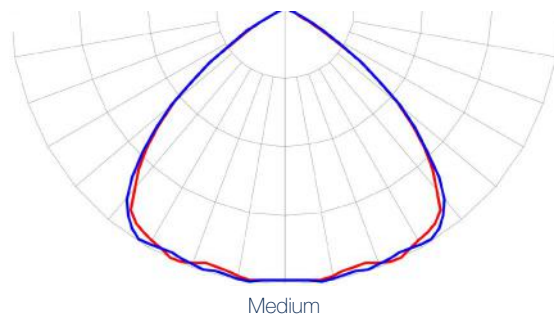
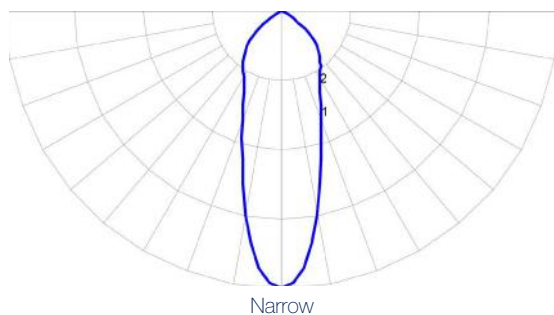
HBXW3-SSL-304FT

- 304 Stainless steel forward throw bracket

HBXW3-SSL-316FT

- 316 Stainless steel forward throw bracket

Beam Distribution



DISCLAIMER. All product information provided is, to the best of Dialight's knowledge, accurate as of the date of publication. When ordering, refer to www.dialight.com for current versions of: (a) relevant product documentation (including the relevant product data sheets); (b) Dialight terms and conditions of sale; and, (c) the relevant product warranty. To the extent that any contract is deemed formed between Dialight and the purchaser of Dialight products and/or an end-user, versions of documents available at www.dialight.com as at the date of sale shall be the versions incorporated therein. In the event of any discrepancy between this document or information provided at www.dialight.com, the latter shall prevail.

SafeSite® LED GRP Linear

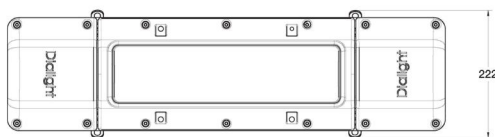
ATEX / IECEx



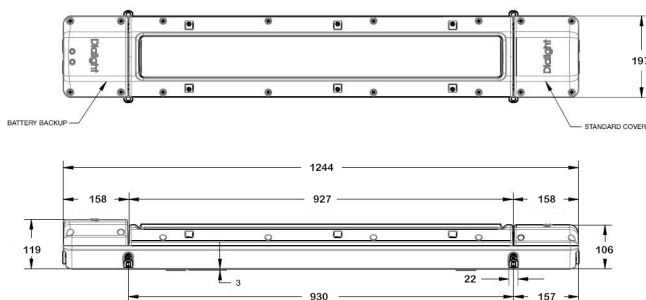
Certifications & Ratings

- 10 year warranty
- CE
- IP66/67
- ATEX/IECEx Zone 1, 2, 21 & 22
 - Ex II 2 GD
 - Ex eb mb op is IIC T4 Gb
 - Ex tb op is IIC T130°C Db
 - Certification numbers:
 - Sira 19ATEX4226X
 - IECEx SIR 19.0068X
 - ATEX/IECEx Zones 2, 21 & 22
 - Ex II 3 GD
 - Ex ec IIC T4 Gc
 - Ex tc IIC T130°C Dc
 - Sira 19ATEX4227X
 - IECEx SIR 19.0069X
 - Ex II 2 D
 - Ex tb op is IIC T130°C Db
 - Sira 19ATEX9228X
 - IECEx SIR 19.0069X
- DALI 1.0/2.0 as standard
- Up to 2,875 & 5,750 (nominal) lumen outputs
- Available in 764 mm & 1244 mm models
- Wireless controls available on select models (Zone 2 models only, please consult factory)

764 mm Model



1244 mm Model



Dimensions in mm

WARNING - INSTALLATION & SECONDARY RETENTION. Use of any Dialight products without proper installation (including secondary retention / netting) and periodic inspections could cause severe injury or death. Dialight recommends that all installations should use secondary retention / netting (appropriate to the installation environment) where applicable. It is the exclusive responsibility of the contractor, installer and/or end-user to: (a) determine the suitability of the product for its intended application; and, (b) ensure that the product is safely installed (with secondary retention / netting where appropriate) and in compliance with all applicable laws and regulations. To the extent permissible under applicable laws, Dialight disclaims all liability for personal injury and/or other damage resulting from any dislodgment or other dislocation of its products.

Mechanical Information:

Fixture weights:

Standard models: 764 mm: 7.9 kg (17.4 lbs)
1244 mm: 10.9 kg (24 lbs)

Emergency models:

764 mm: 8.7 kg (19.2 lbs)
1244 mm: 11.9 kg (26.2 lbs)

Mounting:

(2) M8 fixing points
Other mounting options available

Cable entry:

(2) M25 cable entries at both ends, through wired as standard. Consult factory for other options

Safety Retention:

(4) 316 Stainless steel tabs as standard

Electrical Specifications:

Operating voltage:

Standard:
100-277 VAC, 50/60Hz
120-250 VDC

Emergency:
230/240 VAC, 50Hz

Operating temperature:

Standard models: -40°C to +65°C
Emergency models: -20°C to +50°C

Harmonics & emissions:

IEC 55015 (conducted & radiated)
IEC 61000-3-2
IEC 61000-3-3
IEC 61547

Transient protection:

IEC 61000-4-5
6 kV line-to-line & line-to-ground

Power factor:

> 0.9

Emergency Models:

Lumen output in EM mode: 10-25% of initial light output (depending on selected duration and length of fitting)

Expected battery life*:

4 years

Battery duration*:

180 min. (standard)
60/90 min. (optional, field-configurable)

Materials:

Housing:

Glass-reinforced polyester

Lens:

- Textured polycarbonate convex lens (standard)
- Textured flat glass lens (optional)

Photometric Information:

CRI:

80 minimum

CCT:

5000K (cool white)
4000K (neutral white)
Green LEDs for Shower Safe version

All values typical unless otherwise stated (tolerance +/- 10%)
* @ 25°C ambient

Ordering Information

SafeSite® LED GRP Linear - ATEX / IECEx



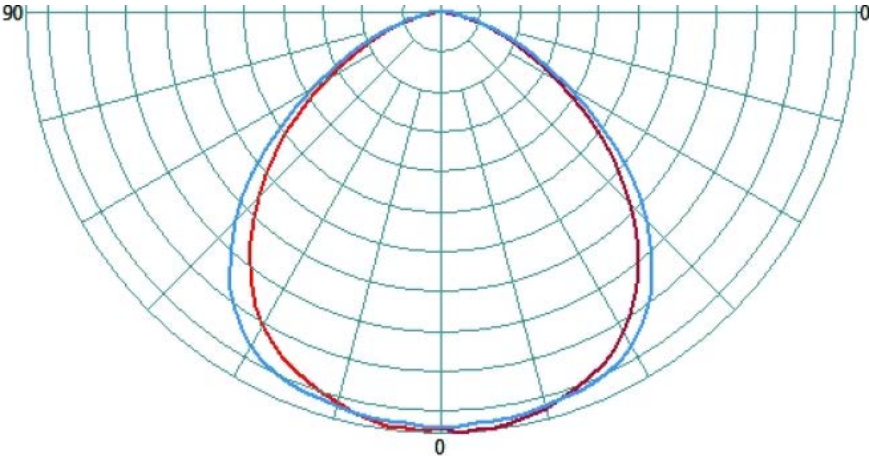
Part Number	Legacy Part Number	Fixture Lumens (Nominal)	Wattage	lm/W	Voltage	CCT	Lens
Zone 1, 2, 21 & 22 Models (Standard)							
P2ABMC23A54WGN		2,875	25	115	100-277 VAC/120-250 VDC	5000K (cool white)	Textured Polycarbonate
P4ABMC26A54WGN		5,750	47	123	100-277 VAC/120-250 VDC	5000K (cool white)	Textured Polycarbonate
P2ABMN23A54WGN		2,785	25	111	100-277 VAC/120-250 VDC	4000K (neutral white)	Textured Polycarbonate
P4ABMN26A54WGN		5,575	47	119	100-277 VAC/120-250 VDC	4000K (neutral white)	Textured Polycarbonate
Zone 2, 21 & 22 Models (Standard)							
P2BBMC23A54WGN	P2BBMC23A5NWGN	2,875	25	115	100-277 VAC/120-250 VDC	5000K (cool white)	Textured Polycarbonate
P4BBMC26A54WGN	P4BBMC26A5NWGN	5,750	47	123	100-277 VAC/120-250 VDC	5000K (cool white)	Textured Polycarbonate
P2BBMN23A54WGN	P2BBMN23A5NWGN	2,785	25	111	100-277 VAC/120-250 VDC	4000K (neutral white)	Textured Polycarbonate
P4BBMN26A54WGN	P4BBMN26A5NWGN	5,575	47	119	100-277 VAC/120-250 VDC	4000K (neutral white)	Textured Polycarbonate
Zone 1, 2, 21 & 22 Models (Emergency Backup)							
P2ABMCG3A54WGG		2,875	29	99	230/240 VAC	5000K (cool white)	Textured Polycarbonate
P4ABMCG6A54WGG		5,750	51	113	230/240 VAC	5000K (cool white)	Textured Polycarbonate
P2ABMNG3A54WGG		2,785	29	96	230/240 VAC	4000K (neutral white)	Textured Polycarbonate
P4ABMNG6A54WGG		5,575	51	109	230/240 VAC	4000K (neutral white)	Textured Polycarbonate
Zone 2, 21 & 22 Models (Emergency Backup)							
P2BBMCG3A54WGG	P2BBMCG3A5NWGF	2,875	29	99	230/240 VAC	5000K (cool white)	Textured Polycarbonate
P4BBMCG6A54WGG	P4BBMCG6A5NWGF	5,750	51	113	230/240 VAC	5000K (cool white)	Textured Polycarbonate
P2BBMNG3A54WGG	P2BBMNG3A5NWGF	2,785	29	96	230/240 VAC	4000K (neutral white)	Textured Polycarbonate
P4BBMNG6A54WGG	P4BBMNG6A5NWGF	5,575	51	109	230/240 VAC	4000K (neutral white)	Textured Polycarbonate
Shower-Safe/Eye-Wash Station Version - Zone 1, 2, 21 & 22 (Emergency Backup)							
P2ABMGG3A54WGG			29		230/240 VAC	Green	Textured Polycarbonate
P4ABMGG6A54WGG			51		230/240 VAC	Green	Textured Polycarbonate
Shower-Safe/Eye-Wash Station Version - Zone 2, 21 & 22 (Emergency Backup)							
P2BBMGG3A54WGG	P2BBMGG3A5NWGF		29		230/240 VAC	Green	Textured Polycarbonate
P4BBMGG6A54WGG	P4BBMGG6A5NWGF		51		230/240 VAC	Green	Textured Polycarbonate

All values typical unless otherwise stated (tolerance +/- 10%).

DISCLAIMER. All product information provided is, to the best of Dialight's knowledge, accurate as of the date of publication. When ordering, refer to www.dialight.com for current versions of: (a) relevant product documentation (including the relevant product data sheets); (b) Dialight terms and conditions of sale; and, (c) the relevant product warranty. To the extent that any contract is deemed formed between Dialight and the purchaser of Dialight products and/or an end-user, versions of documents available at www.dialight.com as at the date of sale shall be the versions incorporated therein. In the event of any discrepancy between this document or information provided at www.dialight.com, the latter shall prevail.

SafeSite® LED GRP Linear

Beam Distribution



DISCLAIMER. All product information provided is, to the best of Dialight's knowledge, accurate as of the date of publication. When ordering, refer to www.dialight.com for current versions of: (a) relevant product documentation (including the relevant product data sheets); (b) Dialight terms and conditions of sale; and, (c) the relevant product warranty. To the extent that any contract is deemed formed between Dialight and the purchaser of Dialight products and/or an end-user, versions of documents available at www.dialight.com as at the date of sale shall be the versions incorporated therein. In the event of any discrepancy between this document or information provided at www.dialight.com, the latter shall prevail.

SafeSite® LED GRP Linear

Accessories



ELX-CMB-SS

- 316 Marine Grade stainless steel ceiling mount kit



ELX-PC-SS-42

- 37-44mm Ø 316 Marine Grade stainless steel pole clamp



ELX-WMB-SS-45

- 45° 316 Marine Grade stainless steel wall mount kit

ELX-PC-SS-47

- 44-50mm Ø 316 Marine Grade stainless steel pole clamp

ELX-WMB-SS-60

- 60° 316 Marine Grade stainless steel wall mount kit



HBXCAB48

- 48" long stainless steel safety rope (for use with safety bracket)

ELX-PC-SS-54

- 50-58mm Ø 316 Marine Grade stainless steel pole clamp

ELX-PC-SS-59

- 58-68mm Ø 316 Marine Grade stainless steel pole clamp



ELX-EYE-SS

- 316 Marine Grade stainless steel eyelet kit



RLX-WG-2

- Wire guard for 764mm model

RLX-WG-4

- Wire guard for 1244mm model



RLX-BATT-KIT-2

- 764mm replacement battery kit



RL-WIRELESS-2*

- Wireless controls kit for 764mm models (Zone 2 only)

RLX-BATT-KIT-4

- 1244mm replacement battery kit

RL-WIRELESS-4*

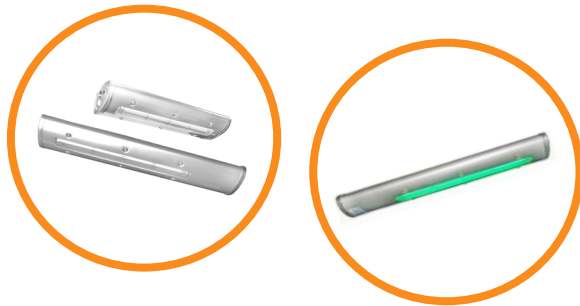
- Wireless controls kit for 1244mm models (Zone 2 only)

*Must be fitted to GRP Linear by authorized Dialight personnel prior to delivery

DISCLAIMER. All product information provided is, to the best of Dialight's knowledge, accurate as of the date of publication. When ordering, refer to www.dialight.com for current versions of: (a) relevant product documentation (including the relevant product data sheets); (b) Dialight terms and conditions of sale; and, (c) the relevant product warranty. To the extent that any contract is deemed formed between Dialight and the purchaser of Dialight products and/or an end-user, versions of documents available at www.dialight.com as at the date of sale shall be the versions incorporated therein. In the event of any discrepancy between this document or information provided at www.dialight.com, the latter shall prevail.

SafeSite® LED Stainless Steel Linear

Technical Specifications



Ratings and Certifications

- 5 year warranty
- L70 >150,000 hours @ 25°C ambient
- IECEx / ATEX Zones 1, 21 and Zones 2, 22
- IP66/67
- IK09
- CE

*All features not available on every model. Please refer to product part number pages for model specifics. Emergency battery backup version available. Green shower safe models available.

Mechanical Information

Fixture weight:	Standard: 1308mm - 11.3 kg (25 lbs) 708mm - 6.8 kg (15 lbs)
	Emergency: 1308mm - 14.1 kg (31 lbs) 708mm - 9.1 kg (20 lbs)
Shipping weight:	Standard: 1308mm - 14.1 kg (31 lbs) 708mm - 9.1 kg (20 lbs)
	Emergency: 1308mm - 17.2 kg (38 lbs) 708mm - 10.9 kg (24 lbs)
Mounting:	(2) M8 fixing points Secondary retention not available
Cable Entry:	M25 x 2 cable entries at both ends, through wired as standard. M20 options available, consult sales
Terminals	4mm ² x 7

Specifications

Voltage options:	Standard: 110-250 VAC	Housing:	316 Marine grade stainless steel
	Emergency: 230, 240 VAC		Lens:
Operating temp:	Standard: -20°C to +60°C	CRI:	70
	Emergency: -20°C to +60°C		CCT:
Power factor:	>0.9	Surge protection:	EN 61000-4-5 1 kV line to line, 2 kV line to ground

Emergency Models

Battery:	3.6V 10Ah NiMH	Duration:	> 180 minutes
Expected battery life:	4 years		

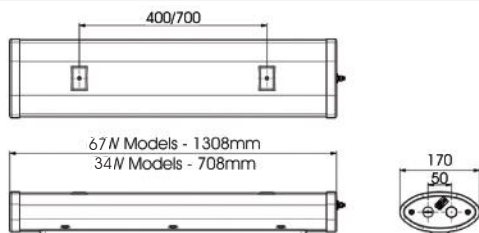
Comparison

	Warranty	L70	T-Rating
Dialight LED Linear	5yr	>150,000	T5
Fluorescent	1	24,000	T4

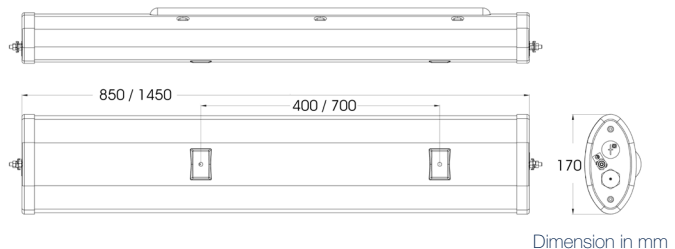
Lumens Wattage lm/W Mounting Heights

Lumens	Wattage	lm/W	Mounting Heights
5,100	70	73	6m
			↕
2,600	34	74	3m

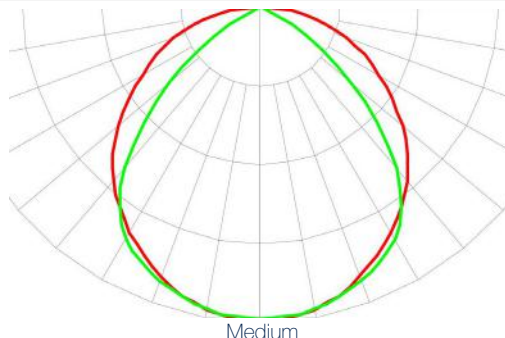
Standard Model Dimensions



Emergency Model Dimensions



Beam Distribution



WARNING - INSTALLATION & SECONDARY RETENTION. Use of any Dialight products without proper installation (including secondary retention / netting) and periodic inspections could cause severe injury or death. Dialight recommends that all installations should use secondary retention / netting (appropriate to the installation environment) where applicable. It is the exclusive responsibility of the contractor, installer and/or end-user to: (a) determine the suitability of the product for its intended application; and, (b) ensure that the product is safely installed (with secondary retention / netting where appropriate) and in compliance with all applicable laws and regulations. To the extent permissible under applicable laws, Dialight disclaims all liability for personal injury and/or other damage resulting from any dislodgment or other dislocation of its products.

SafeSite® LED Stainless Steel Linear

Ordering Information & Mounting Accessories

Part Number	Fixture Lumens	Emergency Mode Lumens	Wattage	lm/W	Voltage	Colour Temperature (CCT)	Lens	Beam Distribution
Standard Models								
ELA-1C6R-SSCB4	5,100		67	76	110-250 VAC	5000K (cool white)	Polycarbonate	Medium
ELA-1C6M-SSCB4	2,600		34	76	110-250 VAC	5000K (cool white)	Polycarbonate	Medium
ELA-1N6R-SSCB4	4,850		67	72	110-250 VAC	4000K (neutral white)	Polycarbonate	Medium
ELA-1N6M-SSCB4	2,500		34	74	110-250 VAC	4000K (neutral white)	Polycarbonate	Medium
Shower Safe Models								
ELA-1G3M-SSC			34		110-250 VAC	Green	Polycarbonate	Medium
Emergency Models								
ELEA-2C7R-SSCB4	5,100	271	70	73	230 / 240 VAC	5000K (cool white)	Polycarbonate	Medium
ELEA-2C7M-SSCB4	2,600	271	35	74	230 / 240 VAC	5000K (cool white)	Polycarbonate	Medium

All values typical unless otherwise stated (tolerance +/- 10%).

M20 options available, please consult local Dialight sales office for availability.



ELXCMBSS

- 316 Marine Grade Stainless steel ceiling mount kit



ELXPCSS42

- 37Ø - 44mm range 316 Marine Grade Stainless steel pole clamp



ELXWMBSS30

- 30° 316 Marine Grade Stainless steel wall mount kit



ELXEYESS

- 316 Marine Grade Stainless steel eyelet kit

ELXPCSS47

- 44Ø - 50mm range 316 Marine Grade Stainless steel pole clamp

ELXWMBSS45

- 45° 316 Marine Grade Stainless steel wall mount kit



ELX-BATT-KIT

- Emergency model
- 3.6V 10Ah NiMH battery kit

ELXPCSS54

- 50Ø - 58mm range 316 Marine Grade Stainless steel pole clamp

ELXWMBSS60

- 60° 316 Marine Grade Stainless steel wall mount kit

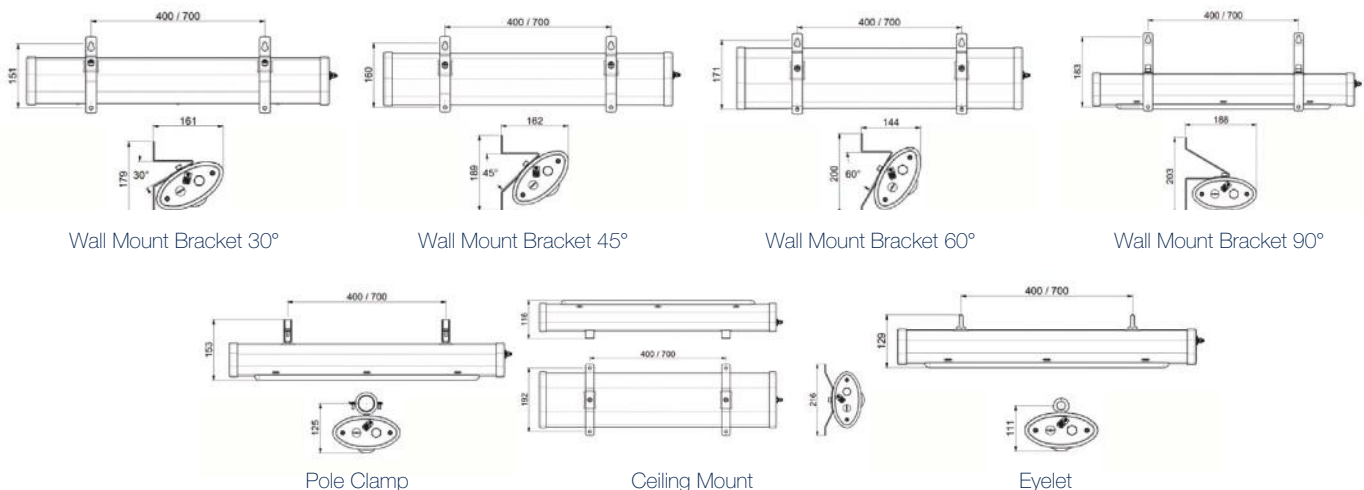
ELXPCSS59

- 58Ø - 68mm range 316 Marine Grade Stainless steel pole clamp

ELXWMBSS90

- 90° 316 Marine Grade Stainless steel wall mount kit

Mounting Options



DISCLAIMER. All product information provided is, to the best of Dialight's knowledge, accurate as of the date of publication. When ordering, refer to www.dialight.com for current versions of: (a) relevant product documentation (including the relevant product data sheets); (b) Dialight terms and conditions of sale; and, (c) the relevant product warranty. To the extent that any contract is deemed formed between Dialight and the purchaser of Dialight products and/or an end-user, versions of documents available at www.dialight.com as at the date of sale shall be the versions incorporated therein. In the event of any discrepancy between this document or information provided at www.dialight.com, the latter shall prevail.

SafeSite® LED Area Light

Technical Specifications



Ratings and Certifications

- 5 year warranty
- L70 >150,000 hours @ 25°C ambient
- IECEx/ATEX Zones 1, 21
- IECEx/ATEX Zones 2, 22
- IP66
- IK08
- CE

*All features not available on every model. Please refer to product part number pages for model specifics.

Mechanical Information

Fixture weight:	9.1 kg (20 lbs)
Shipping weight:	10.0 kg (22 lbs)
Mounting:	316 Stainless steel mounting bracket Secondary retention standard
Cable Entries:	M20 x 2
Terminals:	4mm ² x 5

Specifications

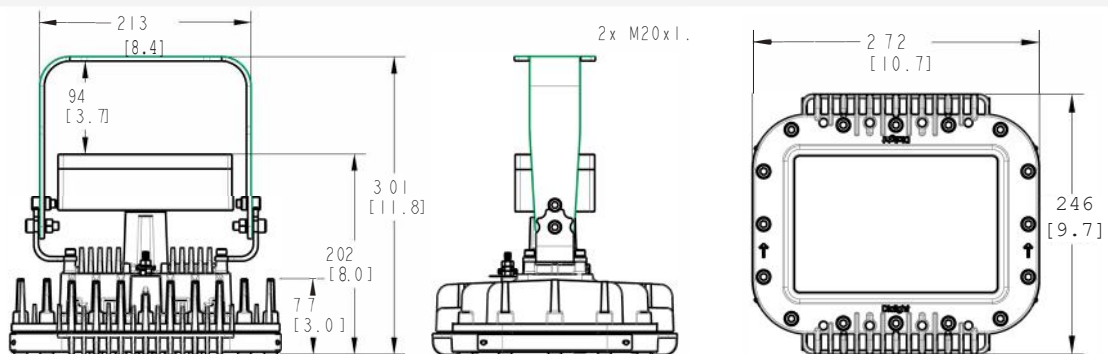
Voltage:	100-277 VAC	Housing:	Copper-free aluminium
Operating temp:	-40°C to +65°C	Finish:	Superior dual coat finish - Sealed polyester topcoat
Power factor:	>0.9	Lens:	Tempered Glass
THD:	<20%	CRI:	75
Surge protection:	1kV line-to-line, 2kV line-to-ground	CCT:	5000K (cool white) 4000K (neutral white)

Comparison

	Warranty	L70	T-Rating
Dialight LED Area Light	5yr	>150,000	T5
Metal Halide	1	15,000	T3
High Pressure Sodium	1	20,000	T2

Lumens	Wattage	lm/W	Mounting Heights
6,000	58	103	6m
5,600	47	97	3m

Dimensions



Dimension in mm [inches]

WARNING - INSTALLATION & SECONDARY RETENTION. Use of any Dialight products without proper installation (including secondary retention / netting) and periodic inspections could cause severe injury or death. Dialight recommends that all installations should use secondary retention / netting (appropriate to the installation environment) where applicable. It is the exclusive responsibility of the contractor, installer and/or end-user to: (a) determine the suitability of the product for its intended application; and, (b) ensure that the product is safely installed (with secondary retention / netting where appropriate) and in compliance with all applicable laws and regulations. To the extent permissible under applicable laws, Dialight disclaims all liability for personal injury and/or other damage resulting from any dislodgment or other dislocation of its products.

SafeSite® LED Area Light

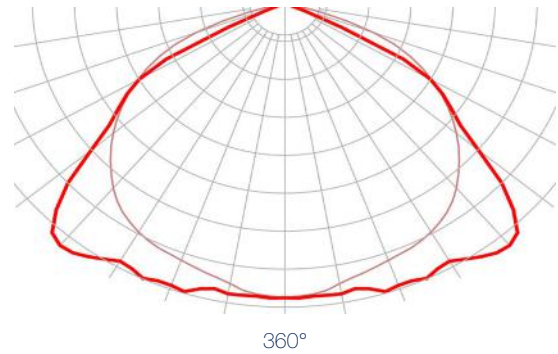
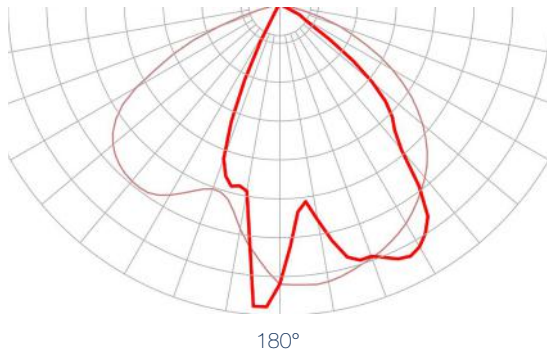
Ordering Information

Part Number	Lumen	Wattage	lm/W	Voltage	Colour Temperature (CCT)	Lens	Beam Distribution
HZJA9C2N	6,000	58	103	100-277 VAC	5000K (cool white)	Tempered glass	360°
HZJA8C2N	5,600	58	97	100-277 VAC	5000K (cool white)	Tempered glass	180°

All values typical unless otherwise stated (tolerance +/- 10%).

Leaded options available, please consult local Dialight sales office for availability.

Beam Distribution



SafeSite® LED Transportable Bulkhead

Technical Specifications



Ratings and Certifications

- 5yr warranty
- L70 >100,000 hours
- IP66
- ATEX Zones 1, 21
- ATEX Zones 2, 22
- IK08
- CE

*All features not available on every model. Please refer to product part number pages for model specifics.

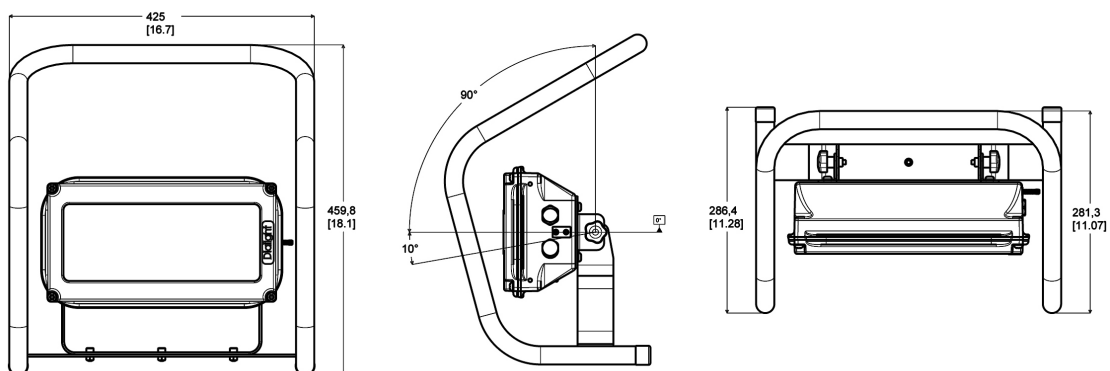
Mechanical Information

Fixture weight:	11 & 22W - 5.75 kg (10.5 lbs)
	34W - 5.9 kg (10.8 lbs)
Fixing:	Factory installed 10m cable, no plugs
Mounting:	Secondary retention not available

Specifications

Voltage options:	34W-100-277 VAC	Housing:	Copper-free aluminium
Operating temp:	34W- -40°C to +50°C	Finish:	Superior dual coat finish color - RAL Yellow
Power factor:	>0.9	Lens:	Polycarbonate High impact resistant glass
THD:	<20%	CRI:	70
Surge protection:	1 kV line to line, 2 kV line to ground	CCT:	5000K (cool white)

Dimensions



Dimension in mm [inches]

Part Number	Lumens	Wattage	lm/W	Voltage	Colour Temperature (CCT)	Lens	Beam Distribution
TWA-2C3L-SYWC	2,250	34	66	100-277 VAC	5000K (cool white)	Clear glass	Narrow

All values typical unless otherwise stated (tolerance +/- 10%).

When ordering, please refer to www.dialight.com and the current data sheets to ensure proper and most up-to-date information.

WARNING - INSTALLATION & SECONDARY RETENTION. Use of any Dialight products without proper installation (including secondary retention / netting) and periodic inspections could cause severe injury or death. Dialight recommends that all installations should use secondary retention / netting (appropriate to the installation environment) where applicable. It is the exclusive responsibility of the contractor, installer and/or end-user to: (a) determine the suitability of the product for its intended application; and, (b) ensure that the product is safely installed (with secondary retention / netting where appropriate) and in compliance with all applicable laws and regulations. To the extent permissible under applicable laws, Dialight disclaims all liability for personal injury and/or other damage resulting from any dislodgment or other dislocation of its products.

StreetSense® LED ATEX/IECEX Street Light

Technical Specifications



Ratings and Certifications
• 7 year warranty
• CE
• IECEx/ATEX Zone 2
• IK07

*All features not available on every model. Please refer to product part number pages for model specifics.

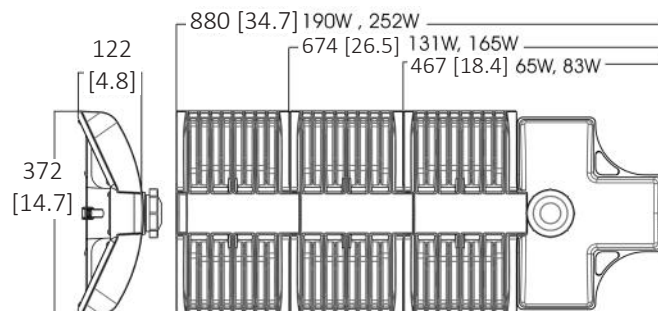
Mechanical Information	
Fixture weight:	1 light engines: 7.3 kg (16 lbs) 2 light engines: 1.3 kg (25 lbs) 3 light engines: 15.4 kg (34 lbs)
Shipping weight:	1 light engines: 9.5 kg (21 lbs) 2 light engines: 13.6 kg (30 lbs) 3 light engines: 17.7 kg (39 lbs)
Mounting:	Accommodates 31.75mm (42.16mm OD) - 50.8mm (60.32mm OD) pipe. Provision for adjustment of +/- 5° at 2.5° increments Secondary retention standard
Cable Entries:	M25 x 1 rear
Terminals:	3.3mm ² x 3

Specifications			
Voltage:	100-277 VAC, 50/60 Hz	Housing:	Aluminium alloy A360
Operating temp:	-40°C to +74°C ambient	Lens:	Polycarbonate Tempered glass
Power factor:	>0.9	CRI:	70
THD:	<20%	CCT:	5000K (cool white) 4300K (neutral white)
Surge protection:	Open circuit surge protection 6kV standard per ANSI/IEEE C62.41 . 2.2002 cat C low or Open circuit surge protection 10kV standard per ANSI/IEEE C62.41 . 2.2002 cat C high		

	Comparison	
	Warranty	L70
Dialight LED Street Light	7yr	>100,000
Metal Halide	1	15,000
High Pressure Sodium	1	20,000

Lumens	Wattage	lm/W	Mounting Heights
20,250	252	80	17m
10,900	131	83	↕
5,500	65	85	5m

Dimensions



Dimension in mm [inches]

WARNING - INSTALLATION & SECONDARY RETENTION. Use of any Dialight products without proper installation (including secondary retention / netting) and periodic inspections could cause severe injury or death. Dialight recommends that all installations should use secondary retention / netting (appropriate to the installation environment) where applicable. It is the exclusive responsibility of the contractor, installer and/or end-user to: (a) determine the suitability of the product for its intended application; and, (b) ensure that the product is safely installed (with secondary retention / netting where appropriate) and in compliance with all applicable laws and regulations. To the extent permissible under applicable laws, Dialight disclaims all liability for personal injury and/or other damage resulting from any dislodgment or other dislocation of its products.

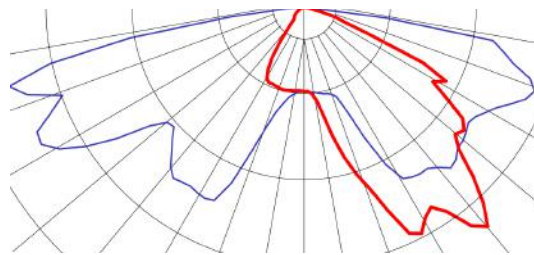
StreetSense® LED ATEX/IECEx Street Light

Ordering Information

Part Number	Lumens	Wattage	lm/W	Voltage	Colour Temperature (CCT)	Lens	Light Engines
ATEX / IECEx Zone 2							
SLA3N4SG	20,250	252	80	100-277 VAC	4300K (neutral white)	Glass	3
SLA3C4SG	20,250	252	80	100-277 VAC	5000K (cool white)	Glass	3
SLA3N4HG	10,900	131	83	100-277 VAC	4300K (neutral white)	Glass	2
SLA3C4HG	10,900	131	83	100-277 VAC	5000K (cool white)	Glass	2
SLA3N4CG	5,500	65	85	100-277 VAC	4300K (neutral white)	Glass	1
SLA3C4CG	5,500	65	85	100-277 VAC	5000K (cool white)	Glass	1

All values typical unless otherwise stated (tolerance +/- 10%).

Beam Distribution



Type III

WARNING - INSTALLATION & SECONDARY RETENTION. Use of any Dialight products without proper installation (including secondary retention / netting) and periodic inspections could cause severe injury or death. Dialight recommends that all installations should use secondary retention / netting (appropriate to the installation environment) where applicable. It is the exclusive responsibility of the contractor, installer and/or end-user to: (a) determine the suitability of the product for its intended application; and, (b) ensure that the product is safely installed (with secondary retention / netting where appropriate) and in compliance with all applicable laws and regulations. To the extent permissible under applicable laws, Dialight disclaims all liability for personal injury and/or other damage resulting from any dislodgment or other dislocation of its products.

Obstruction LED Lighting

ICAO



Red LED Systems: Medium Intensity ICAO Type B/Type C

Features & Benefits

- Integrated controller
- 5 year warranty
- Universal 120-240 VAC input
- Controller can be mounted at the base of the structure
- Wide temperature range: -40°C to +55°C
- Configurable flash rates (20, 30, or 40 flashes per min)
- Ability to operate lights in steady or flashing mode
- Optional infrared light fixtures
- Light weight design
- Low power consumption
- IP66 rated light fixtures
- Impact and vibration resistant
- Provision for padlock on the enclosure
- Dry contacts for alarm monitoring/status
 - Photocell alarm
 - Light alarms
 - Operation mode (day/night)
- Largest Controller can control and monitor maximums of:
 - Twelve (12) Medium Intensity ICAO Type B/Type C and
 - Twenty Four (24) Low Intensity ICAO Type B/Type E



Dual (Red/White) LED Systems: Medium Intensity ICAO Type A/Type B

Features & Benefits

- Infrared (IR) version available for improved visibility to Night Vision Goggles
- Optional Ethernet/Cellular based remote monitoring/control system available
- Ability to flash side markers
- Integrated controller with LCD back-lit display
- 5 year warranty
- Universal 120-240 VAC input or +/- 48 VDC input
- Controller can be mounted at the base of the structure
- Wide temperature range: -40°C to +55°C
- Light weight design
- Low power consumption
- IP66 rated light fixtures
- Impact and vibration resistant
- Provisions for padlock on the enclosure
- Dry contacts for alarm monitoring/status
 - Photocell alarm
 - White mode alarm
 - Power fail
 - Light alarms
 - Red mode alarm
 - Communication
 - Operation mode (day/night)
 - Sync alarm



White LED Systems: Medium Intensity ICAO Type A

Features & Benefits

- Integrated controller with LCD back-lit display
- Optional Ethernet/Cellular based remote monitoring/control system available
- 5 year warranty
- Universal 120-240 VAC input or 48 VDC input
- Controller can be mounted at the base of the structure
- Wide temperature range: -40°C to +55°C
- Light weight design
- Low power consumption
- IP66 rated light fixtures
- Impact and vibration resistant
- Provisions for padlock on the enclosure
- Dry contacts for alarm monitoring/status
 - Photocell alarm
 - White mode alarm
 - Power fail
 - Light alarms
 - Communication
 - Operation mode (day/night)
 - Sync alarm



High Intensity LED Systems: ICAO Type A

Features & Benefits

- Integrated controller
- 5 year warranty
- Universal 208-277 VAC input
- Controller can be mounted at the base of the structure
- Wide temperature range: -40°C to +55°C
- Low power consumption
- IP66 rated light fixtures
- Impact and vibration resistant
- Provision for padlock on the enclosure
- Dry contacts for alarm monitoring/status
 - Photocell alarm
 - White mode alarm
 - Power fail
 - Red mode alarm
 - Communication
 - Operation mode (day/night)
 - Sync alarm

DISCLAIMER. All product information provided is, to the best of Dialight's knowledge, accurate as of the date of publication. When ordering, refer to www.dialight.com for current versions of: (a) relevant product documentation (including the relevant product data sheets); (b) Dialight terms and conditions of sale; and, (c) the relevant product warranty. To the extent that any contract is deemed formed between Dialight and the purchaser of Dialight products and/or an end-user, versions of documents available at www.dialight.com as at the date of sale shall be the versions incorporated therein. In the event of any discrepancy between this document or information provided at www.dialight.com, the latter shall prevail.

Obstruction LED Lighting

ICAO



Vigilant LED Based ICAO Type A

High Intensity (White / Red) Strobe

Effective Intensity:	White Day – 200,000 cd White Twilight- 20,000 cd White or Red Night- 2,000 cd
Wattage:	White day - 160W White twilight - 30W White Night - 23W Red Night - 30W
Input Voltage:	208-277 VAC



Vigilant LED Based ICAO Type A/Type B

Medium Intensity (White/Red) Strobe - Infrared (IR) available

Effective Intensity:	White Day- 20,000 cd White Night- 2,000 cd Red Night- 2,000 cd
Wattage:	White Day- 36W (system = 75W) White Night- 4W (system = 10W) Red Night- 12W (system = 25W)

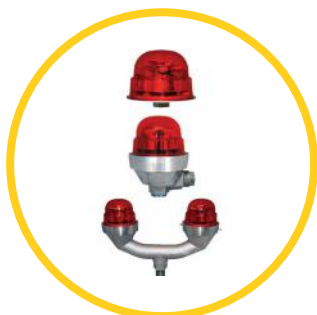
Input Voltage: 120-240 VAC or +/- 48 VDC



Vigilant LED Based ICAO Type B/Type C

Medium Intensity (Red) Beacon - Infrared (IR) available

Effective Intensity:	2,000 cd
Wattage:	3.3W (16.7% duty circle) - standard 7.0W (16.7% duty circle) - IR model 20 flashes per minute with 0.5 sec. on time
Input Voltage:	120-240 VAC or 24-48 VDC



Vigilant LED Based ICAO Type B/Type E

Low Intensity (Red) RTO Side Light - Infrared (IR) available

Effective Intensity:	32.5 cd
Wattage Range:	1.5-9.0W
Input Voltage:	12-48 VDC, 120-240 VAC, 277 VAC



Vigilant LED Based ICAO Type B/Type E

Low Intensity (Red) Side Light

Effective Intensity:	32.5 cd
Wattage Range:	13-24W
Input Voltage:	12-48 VDC, 120 VAC, 230 VAC

Dialight Europe Ltd

Leaf C, Level 36, Tower 42
25 Old Broad Street
London, EC2N 1HQ, United Kingdom
Tel: +44 (0) 203 058 3540
Customer Service: +44 (0) 163 866 6541
sales-emea@dialight.com

Australia

108 Howe Street
Osborne Park, WA 6017
Tel: +61 (0) 8 9244 7600
Fax: +61 (0) 8 9244 7601
info@dialight.com.au

Brazil

Alameda Mercurio,
225 – American Park Empresarial NR
Indaiatuba – SP – 13347– 662
Tel: +55 (19) 3113-4300
Fax: +55 (19) 3113-4300
brasil@dialight.com

Middle East

Level 23 – Boulevard Plaza Tower 2
Emaar Boulevard, Dubai, U.A.E.
P.O. Box 124342
Tel: +971 (4) 409-6962
Fax: +971 (4) 409-6850

North American HQ

1501 Route 34 South
Farmingdale, NJ 07727
Tel: 732-919-3119
Fax: 732-751-5778
info@dialight.com

Southeast Asia

33 Ubi Avenue 3
#07-72 Vertex (Tower A)
Singapore 408868
Tel: +65 6578 7157
Fax: +65 6578 7150
enquiry@dialight.com.sg



WARNING / DISCLAIMERS:

Installation & secondary retention. The use of this product without proper installation (including secondary retention / netting) and periodic inspections, could cause severe injury or death. Dialight recommends that all installations should use secondary retention / netting (appropriate to the installation environment) as applicable. Dialight products are intended for ultimate purchase, installation and operation by knowledgeable persons trained in the functional assessment, installation, use and maintenance of such products and all customers (including but not limited to end customers) are responsible for assessing the suitability of Dialight products for any given installation requirement. It is the exclusive responsibility of the contractor, installer and/or end-user to: (a) determine the suitability of the product for its intended application; and, (b) ensure that the product is safely installed (with secondary retention / netting as appropriate) and in compliance with all applicable laws and regulations.

Product specifications & warranties. All product information provided is, to the best of Dialight's knowledge, accurate as of the date of publication. All values and performance data herein are design or typical values when measured under laboratory conditions. The information herein is subject to change without notice. The products / software detailed herein are subject to applicable warranties and terms and conditions of use/purchase. Unless agreed otherwise in writing by an authorized representative of Dialight, Dialight does not represent that its products are fit for any particular purpose and accepts no liability for the installation and/or unauthorised use of its products. When ordering, refer to www.dialight.com for current versions of: (a) relevant product documentation (including relevant product data sheets); (b) Dialight terms and conditions of sale; and, (c) the relevant product warranties. To the extent that any contract is deemed formed between Dialight and the purchaser of Dialight products and/or an end-user, versions of documents available at www.dialight.com as at the date of sale shall be the versions incorporated therein. In the event of any discrepancy between this document and information provided at www.dialight.com, the latter shall prevail.

Exclusion of liability. To the extent permissible under the relevant law, Dialight disclaims all liability for personal injury and/or other damage resulting from any dislodgment or other dislocation of its products. Whilst Dialight has used its reasonable endeavours to ensure the completeness and accuracy of information herein, Dialight does not assume any liability for damages resulting from use of this information or for any third-party representations made in relation to Dialight products.