

**KRIPAL**<sup>®</sup>

# 工业插头系列 Industrial plugs

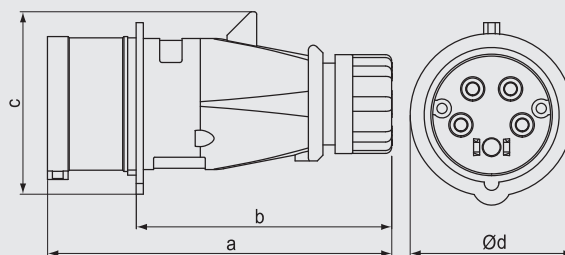


## 插头 Plug

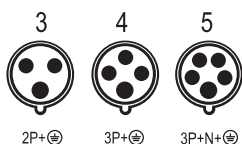
产品外观  
Photo



外形尺寸  
Dimension



**B**



电压	极数	3P	4P	5P	3P	4P	5P	3P	4P	5P	3P	4P	5P	3P	4P	5P
110 V		4h	4h	4h	6h	9h	9h	9h	6h	6h	10h	10h	10h	2h	2h	2h
230 V																
400 V																
500 V																
>50 - 500 V																
>50 - 500 V																

▲ IP 44 CEE / IEC 插头，带螺钉接线端子，一体外壳结构  
▲ IP 44 CEE / IEC Plug: screwed terminals, shell of integrated structure

16	3	UKS-A134-4	UKS-A134-6	UKS-A134-9	UKS-A134-7	UKS-A134-10	UKS-A134-2
16	4	UKS-A144-4	UKS-A144-9	UKS-A144-6	UKS-A144-7	UKS-A144-10	UKS-A144-2
16	5	UKS-A154-4	UKS-A154-9	UKS-A154-6	UKS-A154-7	UKS-A154-10	UKS-A154-2
32	3	UKS-A234-4	UKS-A234-6	UKS-A234-9	UKS-A234-7	UKS-A234-10	UKS-A234-2
32	4	UKS-A244-4	UKS-A244-9	UKS-A244-6	UKS-A244-7	UKS-A244-10	UKS-A244-2
32	5	UKS-A254-4	UKS-A254-9	UKS-A254-6	UKS-A254-7	UKS-A254-10	UKS-A254-2

选型  
Description

参数  
Parameter

电流(A) Current(A)	16			32			
极数(P) Pole(P)	3	4	5	3	4	5	
尺寸 Dimension(mm)	a	142	144	147	186	186	180
	b	105.2	110.5	110.5	141	141	137
	c	59	69.4	76	81	81	89.5
	d	53	59	67	70	70	77
导线横截面积(mm <sup>2</sup> )	1.5	1.5	1.5	2.5	2.5	2.5	
从最小至最大	-4	-4	-4	-10	-10	-10	
Conductor cross section(mm <sup>2</sup> )							
Min. - max.							

符合德国工业标准 DIN VDE 0623; 欧洲/国际标准 EN/IEC 60309-2  
其它电压和频率的产品请来函询问

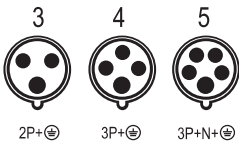
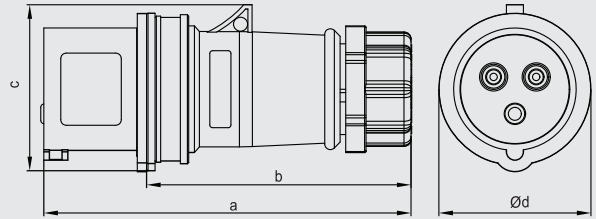
German industrial standard: DIN VDE 0623, European / International standard: EN / IEC 60309-2  
Other requirements, please contact us freely

**插头 Plug**

产品外观  
Photo



外形尺寸  
Dimension



电压	极数	3P	4P	5P	3P	4P	5P	3P	4P	5P	3P	4P	5P	3P	4P	5P
110 V	50 a. 60 Hz	4h	4h	4h	6h	9h	9h	9h	6h	6h	7h	7h	7h	10h	10h	10h
230 V	50 a. 60 Hz															
400 V	50 a. 60 Hz															
500 V	50 a. 60 Hz															
>50 - 500 V	100-300 Hz															
>50 - 500 V	a. 300-500 Hz															

▲ IP 44 CEE / IEC 插头，带螺钉接线端子，省时外壳结构  
▲ IP 44 CEE / IEC Plug: screwed terminals, enclosure with thread lock and safety slide

16	3	UKS2-A134-4	UKS2-A134-6	UKS2-A134-9	UKS2-A134-7	UKS2-A134-10	UKS2-A134-2
16	4	UKS2-A144-4	UKS2-A144-9	UKS2-A144-6	UKS2-A144-7	UKS2-A144-10	UKS2-A144-2
16	5	UKS2-A154-4	UKS2-A154-9	UKS2-A154-6	UKS2-A154-7	UKS2-A154-10	UKS2-A154-2
32	3	UKS2-A234-4	UKS2-A234-6	UKS2-A234-9	UKS2-A234-7	UKS2-A234-10	UKS2-A234-2
32	4	UKS2-A244-4	UKS2-A244-9	UKS2-A244-6	UKS2-A244-7	UKS2-A244-10	UKS2-A244-2
32	5	UKS2-A254-4	UKS2-A254-9	UKS2-A254-6	UKS2-A254-7	UKS2-A254-10	UKS2-A254-2

选型  
Description

参数  
Parameter

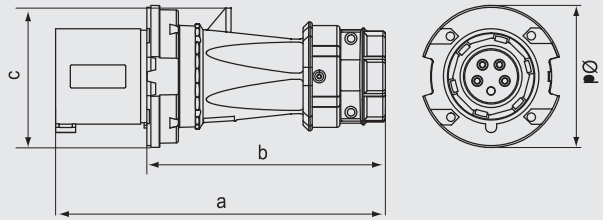
电流(A) Current(A)	16			32			
极数(P) Pole(P)	3	4	5	3	4	5	
尺寸	a	130.5	135.5	140.5	157.5	157.5	167.5
Dimension(mm)	b	94	99	104	112	112	122
	c	59	67.5	75.8	81	81	89
	d	54	60	68	71.3	71.3	77.8
	导线横截面积(mm <sup>2</sup> )	1.5	1.5	1.5	2.5	2.5	2.5
从最小至最大	-4	-4	-4	-10	-10	-10	
Conductor cross section(mm <sup>2</sup> )							
Min. - max.							

**插头 Plug**

产品外观  
Photo

外形尺寸  
Dimension

**B**



			<b>110 V</b> 50 a. 60 Hz	<b>230 V</b> 50 a. 60 Hz	<b>400 V</b> 50 a. 60 Hz	<b>500 V</b> 50 a. 60 Hz	<b>&gt;50 - 500 V</b> 100-300 Hz	<b>&gt;50 - 500 V</b> a. 300-500 Hz											
2P+⊕	3P+⊕	3P+N+⊕	3P 4h	4P 4h	5P 4h	3P 6h	4P 9h	5P 9h	3P 9h	4P 6h	5P 6h	3P 7h	4P 7h	5P 7h	3P 10h	4P 10h	5P 10h	3P 2h	4P 2h

⚠ IP 44 CEE / IEC 插头，带外部电缆紧固装置及耐高温接触载体，插销表面镀镍  
 ⚠ IP 44 CEE / IEC Plug: external cable grip, highly heat resistant contact carrier, nickel plated contacts

63	3	UKS-A334-4	UKS-A334-6	UKS-A334-9	UKS-A334-7
63	4	UKS-A344-4	UKS-A344-9	UKS-A344-6	UKS-A344-7
63	5	UKS-A354-4	UKS-A354-9	UKS-A354-6	UKS-A354-7

选型  
Description

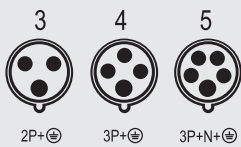
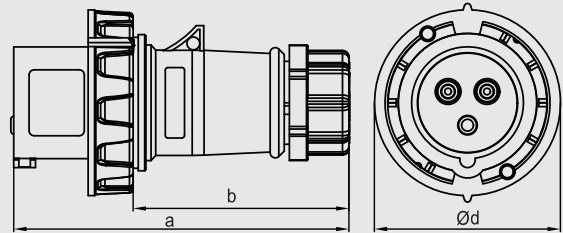
参数 Parameter	电流(A) Current(A)	63		
	极数(P) Pole(P)	3	4	5
尺寸 Dimension(mm)	a	238.3	238.3	238.3
	b	172.3	172.3	172.3
	c	100.7	100.7	100.7
	d	102.5	102.5	102.5
导线横截面积(mm <sup>2</sup> ) 从最小至最大 Conductor cross section(mm <sup>2</sup> ) Min. - max.		6	6	6
		-25	-25	-25

## 插头 Plug

产品外观  
Photo

外形尺寸  
Dimension

**B**



电压 (V)	频率 (Hz)	极数 (Pole)	电流 (A)
110 V	50 a. 60 Hz	3P, 4P, 5P	4h, 4h, 4h
230 V	50 a. 60 Hz	3P, 4P, 5P	6h, 9h, 9h
400 V	50 a. 60 Hz	3P, 4P, 5P	9h, 6h, 6h
500 V	50 a. 60 Hz	3P, 4P, 5P	7h, 7h, 7h
>50 - 500 V	100-300 Hz	3P, 4P, 5P	10h, 10h, 10h
>50 - 500 V	a. 300-500 Hz	3P, 4P	2h, 2h

♦♦ IP 67 CEE / IEC 插头，带螺钉接线端子，省时外壳结构  
 ♦♦ IP 67 CEE / IEC Plug: screwed terminals, enclosure with thread lock and safety slide

选型  
Description

16	3	UKS2-A136-4	UKS2-A136-6	UKS2-A136-9	UKS2-A136-7	UKS2-A136-10	UKS2-A136-2
16	4	UKS2-A146-4	UKS2-A146-9	UKS2-A146-6	UKS2-A146-7	UKS2-A146-10	UKS2-A146-2
16	5	UKS2-A156-4	UKS2-A156-9	UKS2-A156-6	UKS2-A156-7	UKS2-A156-10	UKS2-A156-2
32	3	UKS2-A236-4	UKS2-A236-6	UKS2-A236-9	UKS2-A236-7	UKS2-A236-10	UKS2-A236-2
32	4	UKS2-A246-4	UKS2-A246-9	UKS2-A246-6	UKS2-A246-7	UKS2-A246-10	UKS2-A246-2
32	5	UKS2-A256-4	UKS2-A256-9	UKS2-A256-6	UKS2-A256-7	UKS2-A256-10	UKS2-A256-2

参数  
Parameter

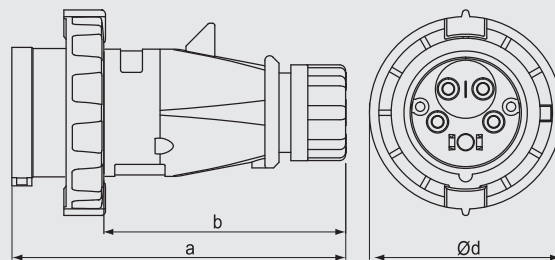
电流(A) Current(A)	16			32			
极数(P) Pole(P)	3	4	5	3	4	5	
尺寸 Dimension(mm)	a	130.5	135.5	140.5	157.5	157.5	167.5
	b	84	89	94	104	104	114
	d	72.3	78	87	93	93	100
导线横截面积(mm²)		1.5	1.5	1.5	2.5	2.5	2.5
从最小至最大		-4	-4	-4	-10	-10	-10
Conductor cross section(mm²)							
Min. - max.							

## 插头 Plug

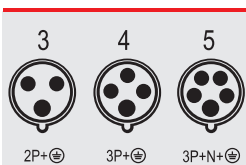
产品外观  
Photo



外形尺寸  
Dimension



B



电压	极数	3P	4P	5P	3P	4P	5P	3P	4P	5P	3P	4P	5P	3P	4P	5P
110 V	4	4h	4h	4h	6h	9h	9h	9h	6h	6h	10h	10h	10h	2h	2h	2h
230 V	5															
400 V	4															
500 V	5															
>50 - 500 V	4															
>50 - 500 V	5															

▲▲ IP 67 CEE / IEC 相位转换插头，带螺钉接线端子，一体外壳结构  
 ▲▲ IP 44 CEE / IEC Phase inverter plug: screwed terminals, shell of integrated structure

16	4	UKS-G146-9	UKS-G146-6
16	5	UKS-G156-9	UKS-G156-6
32	4	UKS-G246-9	UKS-G246-6
32	5	UKS-G256-9	UKS-G256-6

选型  
Description

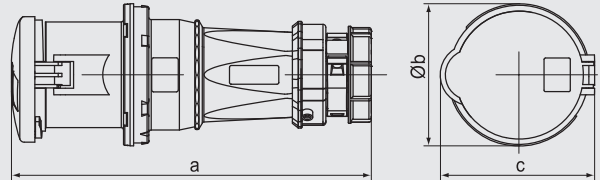
参数 Parameter	16		32	
	电流(A) Current(A)	极数(P) Pole(P)	电流(A) Current(A)	极数(P) Pole(P)
尺寸 Dimension(mm)	a	144 147	186 180	
	b	102.5 102.5	133 129	
	d	78 87	94 101	
导线横截面积(mm <sup>2</sup> ) 从最小至最大 Conductor cross section(mm <sup>2</sup> ) Min. - max.		1.5 1.5	2.5 2.5	
		-4 -4	-10 -10	

**连接器 Connector**

产品外观  
Photo

外形尺寸  
Dimension

**B**



			<b>110 V</b> 50 a. 60 Hz	<b>230 V</b> 50 a. 60 Hz	<b>400 V</b> 50 a. 60 Hz	<b>500 V</b> 50 a. 60 Hz	<b>&gt;50 - 500 V</b> 100-300 Hz	<b>&gt;50 - 500 V</b> a. 300-500 Hz											
2P+⊕	3P+⊕	3P+N+⊕	3P 4h	4P 4h	5P 4h	3P 6h	4P 9h	5P 9h	3P 9h	4P 6h	5P 6h	3P 7h	4P 7h	5P 7h	3P 10h	4P 10h	5P 10h	3P 2h	4P 2h

⚠ IP 44 CEE / IEC 连接器，软接触工艺，带外部电缆紧固装置及耐高温接触载体  
 ⚠ IP 44 CEE / IEC Connector: soft-touch process, external cable grip, highly heat resistant contact carrier

63	3	UKS-C334-4	UKS-C334-6	UKS-C334-9	UKS-C334-7
63	4	UKS-C344-4	UKS-C344-9	UKS-C344-6	UKS-C344-7
63	5	UKS-C354-4	UKS-C354-9	UKS-C354-6	UKS-C354-7

选型  
Description

参数  
Parameter

电流(A) Current(A)	63			
极数(P) Pole(P)	3	4	5	
尺寸 Dimension(mm)	a	268	268	268
	b	95	95	95
	c	109	109	109
导线横截面积(mm <sup>2</sup> ) 从最小至最大 Conductor cross section(mm <sup>2</sup> ) Min. - max.	6	6	6	
	-25	-25	-25	

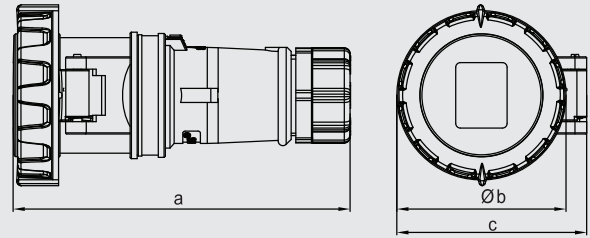


**连接器 Connector**

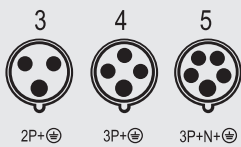
产品外观  
Photo



外形尺寸  
Dimension



**B**



电流 Current	极数 Pole	110 V 50 a. 60 Hz	230 V 50 a. 60 Hz	400 V 50 a. 60 Hz	500 V 50 a. 60 Hz	>50 - 500 V 100- 300 Hz	>50 - 500 V a. 300- 500 Hz
		3P 4h	4P 4h	5P 4h	3P 6h	4P 9h	5P 9h
		3P 7h	4P 7h	5P 7h	3P 10h	4P 10h	5P 10h
		3P 2h	4P 2h	5P 2h			

♦♦ IP 67 CEE / IEC 连接器，带螺钉接线端子，带锁省时外壳结构  
 ♦♦ IP 67 CEE / IEC Connector: screwed terminals, enclosure with thread lock and safety slide

16	3	UKS2-C136-4	UKS2-C136-6	UKS2-C136-9	UKS2-C136-7	UKS2-C136-10	UKS2-C136-2
16	4	UKS2-C146-4	UKS2-C146-9	UKS2-C146-6	UKS2-C146-7	UKS2-C146-10	UKS2-C146-2
16	5	UKS2-C156-4	UKS2-C156-9	UKS2-C156-6	UKS2-C156-7	UKS2-C156-10	UKS2-C156-2
32	3	UKS2-C236-4	UKS2-C236-6	UKS2-C236-9	UKS2-C236-7	UKS2-C236-10	UKS2-C236-2
32	4	UKS2-C246-4	UKS2-C246-9	UKS2-C246-6	UKS2-C246-7	UKS2-C246-10	UKS2-C246-2
32	5	UKS2-C256-4	UKS2-C256-9	UKS2-C256-6	UKS2-C256-7	UKS2-C256-10	UKS2-C256-2

选型  
Description

参数  
Parameter

电流(A) Current(A)	16			32			
极数(P) Pole(P)	3	4	5	3	4	5	
尺寸 Dimension(mm)	a	144	149	154	170.4	170.4	183.6
	b	72.3	78	87	93	93	100
	c	81.2	87	94.5	100.5	100.5	107
导线横截面积(mm <sup>2</sup> ) 从最小至最大 Conductor cross section(mm <sup>2</sup> ) Min. - max.		1.5	1.5	1.5	2.5	2.5	2.5
		-4	-4	-4	-10	-10	-10

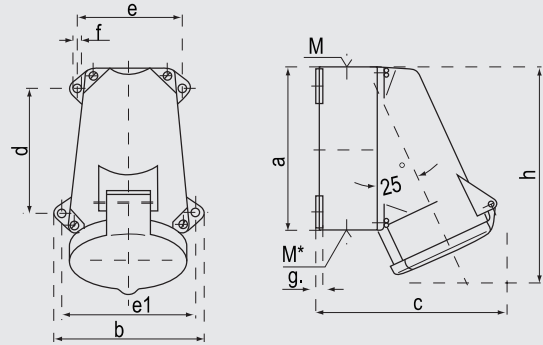


## 插座 Wall Mounted Socket

产品外观  
Photo



外形尺寸  
Dimension



**B**

3 2P+⊕	4 3P+⊕	5 3P+N+⊕	<b>110 V</b> 50 a. 60 Hz	<b>230 V</b> 50 a. 60 Hz	<b>400 V</b> 50 a. 60 Hz	<b>500 V</b> 50 a. 60 Hz	<b>&gt;50 - 500 V</b> 100-300 Hz	<b>&gt;50 - 500 V</b> a. 300-500 Hz								
3P 4h	4P 4h	5P 4h	3P 6h	4P 9h	5P 9h	3P 9h	4P 6h	5P 6h	3P 7h	4P 7h	5P 7h	3P 10h	4P 10h	5P 10h	3P 2h	4P 2h

⚠ IP 44 CEE / IEC 插座，从顶部和底部穿入电缆线  
 ⚠ IP 44 CEE / IEC Wall mounted socket: cable entry at the top and the bottom

选型  
Description

16	3	UKS-F134-4	UKS-F134-6	UKS-F134-9	UKS-F134-7	UKS-F134-10	UKS-F134-2
16	4	UKS-F144-4	UKS-F144-9	UKS-F144-6	UKS-F144-7	UKS-F144-10	UKS-F144-2
16	5	UKS-F154-4	UKS-F154-9	UKS-F154-6	UKS-F154-7	UKS-F154-10	UKS-F154-2
32	3	UKS-F234-4	UKS-F234-6	UKS-F234-9	UKS-F234-7	UKS-F234-10	UKS-F234-2
32	4	UKS-F244-4	UKS-F244-9	UKS-F244-6	UKS-F244-7	UKS-F244-10	UKS-F244-2
32	5	UKS-F254-4	UKS-F254-9	UKS-F254-6	UKS-F254-7	UKS-F254-10	UKS-F254-2

参数 Parameter	16			32			
	3	4	5/7	3	4	5/7	
电流(A) Current(A)							
极数(P) Pole(P)							
尺寸 Dimension(mm)	a	95	95	95	120	120	120
	b	102	102	102	112	112	112
	c	115	124	129	143	143	150
	d	64.2	64.2	64.2	90.2	90.2	90.2
	e	77.5	77.5	77.5	79	79	79
	e1	88	88	88	98.5	98.5	98.5
	f	5.5	5.5	5.5	5.5	5.5	5.5
	g	5	5	5	5	5	5
	h	128	128	132	160	160	160
	M	25	25	25	32	32	32
	M*	1个M 25(堵头)可剪断 1xM25 (removable)			1个M 32(堵头)可剪断 1xM32 (removable)		
最大电缆直径(mm)		18	18	18	25	25	25
导线横截面积(mm <sup>2</sup> )		1.5	1.5	1.5	2.5	2.5	2.5
从最小至最大 Max cable diameter(mm)		-4	-4	-4	-10	-10	-10
Conductor cross section(mm <sup>2</sup> ) Min. - max.							

符合德国工业标准 DIN VDE 0623, 欧洲/国际标准 EN/IEC 60309-2  
其它电压和频率的产品请来函询问

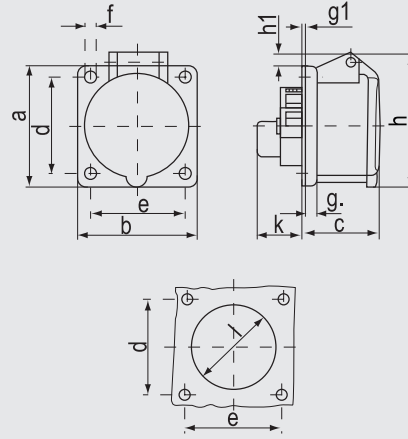
German industrial standard: DIN VDE 0623, European / International standard: EN / IEC 60309-2  
Other requirements, please contact us freely

**附加插座 Panel Mounted Socket**

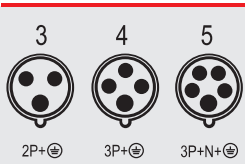
产品外观  
Photo



外形尺寸  
Dimension



**B**



电压 (V)	频率 (Hz)	极数 (Pole)	电流 (A)
110 V	50 a. 60 Hz	3P, 4P, 5P	4h, 4h, 4h
230 V	50 a. 60 Hz	3P, 4P, 5P	6h, 9h, 9h
400 V	50 a. 60 Hz	3P, 4P, 5P	9h, 6h, 6h
500 V	50 a. 60 Hz	3P, 4P, 5P	7h, 7h, 7h
>50 - 500 V	100-300 Hz	3P, 4P, 5P	10h, 10h, 10h
>50 - 500 V	a. 300-500 Hz	3P, 4P	2h, 2h

选型  
Description

电压 (V)	频率 (Hz)	极数 (Pole)	电流 (A)	产品型号
110 V	50 a. 60 Hz	3P	16	UKS-B134-4
110 V	50 a. 60 Hz	4P	16	UKS-B144-4
110 V	50 a. 60 Hz	5P	16	UKS-B154-4
230 V	50 a. 60 Hz	3P	32	UKS-B234-4
230 V	50 a. 60 Hz	4P	32	UKS-B244-4
230 V	50 a. 60 Hz	5P	32	UKS-B254-4
400 V	50 a. 60 Hz	3P	16	UKS-B134-9
400 V	50 a. 60 Hz	4P	16	UKS-B144-9
400 V	50 a. 60 Hz	5P	16	UKS-B154-9
500 V	50 a. 60 Hz	3P	16	UKS-B134-7
500 V	50 a. 60 Hz	4P	16	UKS-B144-7
500 V	50 a. 60 Hz	5P	16	UKS-B154-7
>50 - 500 V	100-300 Hz	3P	16	UKS-B134-10
>50 - 500 V	100-300 Hz	4P	16	UKS-B144-10
>50 - 500 V	100-300 Hz	5P	16	UKS-B154-10
>50 - 500 V	a. 300-500 Hz	3P	16	UKS-B134-2
>50 - 500 V	a. 300-500 Hz	4P	16	UKS-B144-2
>50 - 500 V	a. 300-500 Hz	5P	16	UKS-B154-2
>50 - 500 V	a. 300-500 Hz	3P	32	UKS-B234-9
>50 - 500 V	a. 300-500 Hz	4P	32	UKS-B244-9
>50 - 500 V	a. 300-500 Hz	5P	32	UKS-B254-9
>50 - 500 V	a. 300-500 Hz	3P	32	UKS-B234-7
>50 - 500 V	a. 300-500 Hz	4P	32	UKS-B244-7
>50 - 500 V	a. 300-500 Hz	5P	32	UKS-B254-7
>50 - 500 V	a. 300-500 Hz	3P	32	UKS-B234-10
>50 - 500 V	a. 300-500 Hz	4P	32	UKS-B244-10
>50 - 500 V	a. 300-500 Hz	5P	32	UKS-B254-10
>50 - 500 V	a. 300-500 Hz	3P	32	UKS-B234-2
>50 - 500 V	a. 300-500 Hz	4P	32	UKS-B244-2
>50 - 500 V	a. 300-500 Hz	5P	32	UKS-B254-2

参数 Parameter	IP 44 法兰尺寸 75 x 75 毫米 (16A)、85x75毫米 (32A), 直插式, 附加插座									IP 44 法兰尺寸 65 x 65 毫米 (16A)、安装尺寸52x52毫米 (一体式)			
	16			32			16		16				
极数(P) Pole(P)	3	4	5	3	4	5	3	4	3	4			
尺寸 Dimension(mm)	a	75	75	75	85	85	85	a	65	65			
	b	75	75	75	75	75	75	b	65	65			
	c	54	54	54	64	64	64	c	60	58.9			
	d	60	60	60	60	60	60	d	52	52			
	e	60	60	60	60	60	60	e	52	52			
	f	5.5	5.5	5.5	5.5	5.5	5.5	f	5.5	5.5			
	g	8	8	8	8	8	8	g	9	9			
	g.1	2	2	2	2	2	2	g.1	2	2			
	h	68	77	85	89	89	95	h	86	91.5			
	h1	1	5	9	12	12	12	h1	7.5	10.5			
	k	28	28	28	32	32	32	k	21.2	22.1			
	l	50	54	57	62	62	65	l	50	54			
导线横截面积(mm²) 从最小至最大 Conductor cross section(mm²) Min. - max.	1.5	1.5	1.5	2.5	2.5	2.5	1.5	1.5	1.5	1.5			
	-4	-4	-4	-10	-10	-10	-4	-4	-4	-4			

符合德国工业标准 DIN VDE 0623, 欧洲/国际标准 EN/IEC 60309-2  
其它电压和频率的产品请来函询问

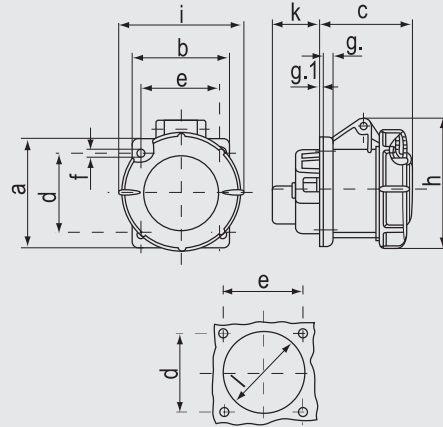
German industrial standard: DIN VDE 0623, European / International standard: EN / IEC 60309-2  
Other requirements, please contact us freely

## 附加插座 Panel Mounted Socket

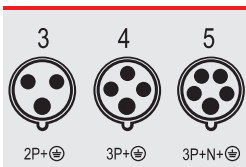
产品外观  
Photo



外形尺寸  
Dimension



**B**



电压	极数	3P	4P	5P	3P	4P	5P	3P	4P	5P	3P	4P	5P	3P	4P	5P
110 V	50 a. 60 Hz	3P	4P	5P	3P	4P	5P	3P	4P	5P	3P	4P	5P	3P	4P	5P
230 V	50 a. 60 Hz	4h	4h	4h	6h	9h	9h	6h	6h	6h	10h	10h	10h	2h	2h	2h
400 V	50 a. 60 Hz															
500 V	50 a. 60 Hz															
>50 - 500 V	100-300 Hz															
>50 - 500 V	a. 300-500 Hz															

**选型**  
Description

▲ IP 67 法兰尺寸 75 x 75 毫米 (16A), 85 x 75 毫米 (32A), 直插式, 附加插座  
▲ IP 67 Panel mounted socket: soft-touch process, size of flange 75 x 75mm (16A), 85 x 75mm(32A), straight

16	3	UKS-B136-4	UKS-B136-6	UKS-B136-9	UKS-B136-7	UKS-B136-10	UKS-B136-2
16	4	UKS-B146-4	UKS-B146-6	UKS-B146-9	UKS-B146-7	UKS-B146-10	UKS-B146-2
16	5	UKS-B156-4	UKS-B156-6	UKS-B156-9	UKS-B156-7	UKS-B156-10	UKS-B156-2
32	3	UKS-B236-4	UKS-B236-6	UKS-B236-9	UKS-B236-7	UKS-B236-10	UKS-B236-2
32	4	UKS-B246-4	UKS-B246-6	UKS-B246-9	UKS-B246-7	UKS-B246-10	UKS-B246-2
32	5	UKS-B256-4	UKS-B256-6	UKS-B256-9	UKS-B256-7	UKS-B256-10	UKS-B256-2

▲ IP 67 软接触工艺, 法兰尺寸 107 x 100 毫米, 直插式, 附加插座  
▲ IP 67 Panel mounted socket: soft-touch process, size of flange 107x 100mm, straight

63	3	UKS-B336-4	UKS-B336-6	UKS-B336-9	UKS-B336-7
63	4	UKS-B346-4	UKS-B346-6	UKS-B346-9	UKS-B346-7
63	5	UKS-B356-4	UKS-B356-6	UKS-B356-9	UKS-B356-7

▲ IP 44 法兰尺寸 65 x 65 毫米 (16A)、安装尺寸 52x52 毫米 (一体式)  
▲ IP 44 Panel mounted socket: size of flange 65 x 65 mm(16A), installation size 85x75mm(32A), one-piece body

32	3	UKS-B2345-4	UKS-B2345-6	UKS-B2345-9
32	4	UKS-B2445-4	UKS-B2445-6	UKS-B2445-9

参数 Parameter	电流(A) Current(A)									一体式 One-piece body			
	16			32			63			电流(A) Current(A)		16	
极数(P) Pole(P)	3	4	5	3	4	5	3	4	5	极数(P) Pole(P)	3	4	
尺寸 Dimension(mm)	a	75	75	75	85	85	85	107	107	107	a	65	65
	b	75	75	75	75	75	75	100	100	100	b	65	65
	c	60	61	61	70	70	72	84	84	84	c	60	58.9
	d	60	60	60	60	60	60	85	85	85	d	52	52
	e	60	60	60	60	60	60	77	77	77	e	52	52
	f	5.5	5.5	5.5	5.5	5.5	5.5	6.5	6.5	6.5	f	5.5	5.5
	g	8	8	8	8	8	8	12	12	12	g	9	9
	g.1	2	2	2	2	2	2	2	2	2	g.1	2	2
	h	83	88	95	99	99	105	113	113	113	h	86	91.5
	i	78	85	96	103	103	110	118	118	118	h1	7.5	10.5
	k	30	30	30	38	38	38	55	55	55	k	21.2	22.1
	l	50	54	57	62	62	65	94	94	94	l	50	54
导线横截面积 从最小至最大 Conductor cross section(mm <sup>2</sup> ) Min. - max.		1.5	1.5	1.5	2.5	2.5	2.5	6	6	6	导线横截面积(mm <sup>2</sup> ) 从最小至最大 Conductor cross section(mm <sup>2</sup> ) Min. - max.	1.5	1.5
		-4	-4	-4	-10	-10	-10	-25	-25	-25		-4	-4

符合德国工业标准 DIN VDE 0623, 欧洲/国际标准 EN/IEC 60309-2  
其它电压和频率的产品请来函询问

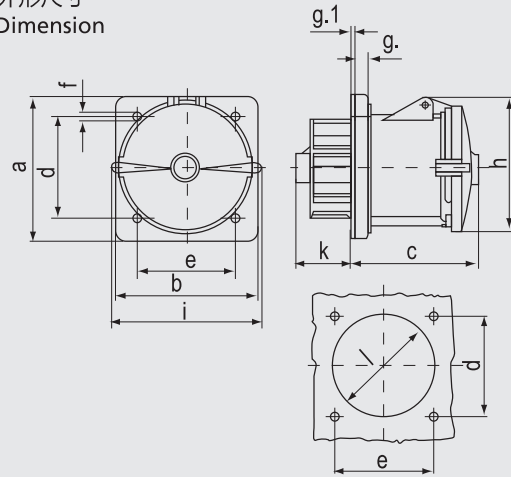
German industrial standard: DIN VDE 0623, European / International standard: EN / IEC 60309-2  
Other requirements, please contact us freely

**附加插座 Panel Mounted Socket**

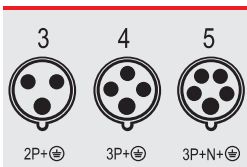
产品外观  
Photo



外形尺寸  
Dimension



**B**



		<b>110 V</b> 50 a. 60 Hz	<b>230 V</b> 50 a. 60 Hz	<b>400 V</b> 50 a. 60 Hz	<b>500 V</b> 50 a. 60 Hz	<b>&gt;50 - 500 V</b> 100-300 Hz	<b>&gt;50 - 500 V</b> a. 300-500 Hz											
电流 Current	极数 Pole	3P 4h	4P 4h	5P 4h	3P 6h	4P 9h	5P 9h	3P 9h	4P 6h	5P 6h	3P 7h	4P 7h	5P 7h	3P 10h	4P 10h	5P 10h	3P 2h	4P 2h

◆◆ IP 67 笼式弹簧接触工艺，法兰尺寸130 x 130 毫米，直插式，附加插座  
 ◆◆ IP 67 Panel mounted socket:cage-clamp touch process, size of flange 130 x 130mm, straight

125	3	UKS-B436-4	UKS-B436-6	UKS-B436-9	UKS-B436-7
125	4	UKS-B446-4	UKS-B446-9	UKS-B446-6	UKS-B446-7
125	5	UKS-B456-4	UKS-B456-9	UKS-B456-6	UKS-B456-7

选型  
Description

参数 Parameter	电流(A) Current(A)	125			
	极数(P) Pole(P)	3	4	5	
尺寸 Dimension(mm)	a	130	130	130	
	b	130	130	130	
	c	124	124	124	
	d	104	104	104	
	e	104	104	104	
	f	6.5	6.5	6.5	
	g	18	18	18	
	g.1	2	2	2	
	h	122	122	122	
	i	135	135	135	
	k	48	48	48	
	l	95	95	95	
	导线横截面积 从最小至最大 Conductor cross section(mm <sup>2</sup> ) Min. - max.		25	25	25
			-70	-70	-70

符合德国工业标准 DIN VDE 0623, 欧洲/国际标准 EN/IEC 60309-2  
 其它电压和频率的产品请来函询问

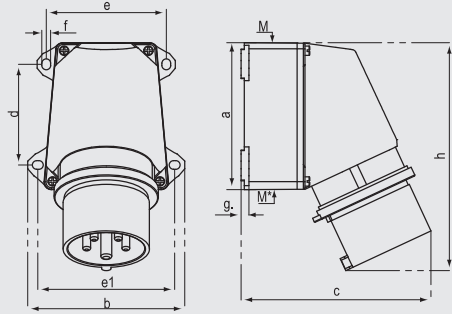
German industrial standard: DIN VDE 0623, European / International standard: EN / IEC 60309-2  
 Other requirements, please contact us freely

## 装置插头 Wall Mounted Plug

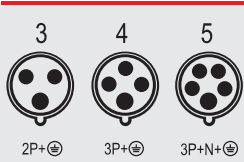
产品外观  
Photo



外形尺寸  
Dimension



**B**



电流 Current	极数 Pole	110 V 50 a. 60 Hz	230 V 50 a. 60 Hz	400 V 50 a. 60 Hz	500 V 50 a. 60 Hz	>50 - 500 V 100- 300 Hz	>50 - 500 V a. 300- 500 Hz
		3P 4h	4P 4h	5P 4h	3P 6h	4P 9h	5P 9h
		3P 9h	4P 6h	5P 6h	3P 7h	4P 7h	5P 7h
		3P 10h	4P 10h	5P 10h	3P 2h	4P 2h	5P 2h

选型  
Description

▲ IP 44 CEE / IEC 装置插头  
▲ IP 44 CEE / IEC Wall mounted plug

16	3	UKS-D134-4	<b>UKS-D134-6</b>	UKS-D134-9	UKS-D134-7	UKS-D134-10	UKS-D134-2
16	4	UKS-D144-4	UKS-D144-9	<b>UKS-D144-6</b>	UKS-D144-7	UKS-D144-10	UKS-D144-2
16	5	UKS-D154-4	UKS-D154-9	<b>UKS-D154-6</b>	UKS-D154-7	UKS-D154-10	UKS-D154-2
32	3	UKS-D234-4	<b>UKS-D234-6</b>	UKS-D234-9	UKS-D234-7	UKS-D234-10	UKS-D234-2
32	4	UKS-D244-4	UKS-D244-9	<b>UKS-D244-6</b>	UKS-D244-7	UKS-D244-10	UKS-D244-2
32	5	UKS-D254-4	UKS-D254-9	<b>UKS-D254-6</b>	UKS-D254-7	UKS-D254-10	UKS-D254-2

参数 Parameter	16			32			
	极数(P)	Pole(P)		极数(P)	Pole(P)		
尺寸 Dimension(mm)	a	95	95	95	120	120	
	b	102	102	102	112	112	
	c	117	118	122	141	141	
	d	64.2	64.2	64.2	90.2	90.2	
	e	77.5	77.5	77.5	79	79	
	e1	88	88	88	98.5	98.5	
	f	5.5	5.5	5.5	5.5	5.5	
	g	5	5	5	5	5	
	h	144	146	147	189	189	
	M	25	25	25	32	32	
	M*	一个M25(堵头)可剪断 1 x M25 (removable)			一个M32(堵头)可剪断 1 x M32 (removable)		
最大电缆直径(mm)		18	18	18	25	25	
导线横截面积(mm²)		1.5	1.5	1.5	2.5	2.5	
从最小至最大 Conductor diameter(mm)		-4	-4	-4	-10	-10	
Conductor cross section(mm²) Min. - max.							

符合德国工业标准 DIN VDE 0623, 欧洲/国际标准 EN/IEC 60309-2  
其它电压和频率的产品请来函询问

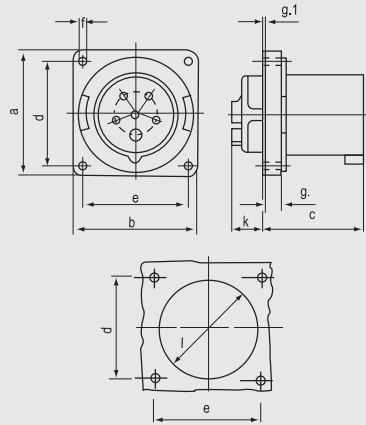
German industrial standard: DIN VDE 0623, European / International standard: EN / IEC 60309-2  
Other requirements, please contact us freely

**附加装置插头 Panel Mounted Plug**

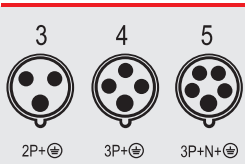
产品外观  
Photo



外形尺寸  
Dimension



**B**



<b>110 V</b> 50 a. 60 Hz	<b>230 V</b> 50 a. 60 Hz	<b>400 V</b> 50 a. 60 Hz	<b>500 V</b> 50 a. 60 Hz	<b>&gt;50 - 500 V</b> 100-300 Hz	<b>&gt;50 - 500 V</b> a. 300-500 Hz
3P 4h 4P 4h 5P 4h	3P 6h 4P 9h 5P 9h	3P 9h 4P 6h 5P 6h	3P 7h 4P 7h 5P 7h	3P 10h 4P 10h 5P 10h	3P 2h 4P 2h

⚠ IP 44 CEE / IEC 附加装置插头, 耐高温接触载体, 插销表面镀镍  
 ⚠ IP 67 CEE / IEC Panel mounted plug; highly heat resistant contact carrier, nickel plated contacts

63	3	UKS-E334-4	<b>UKS-E334-6</b>	UKS-E334-9	UKS-E334-7
63	4	UKS-E344-4	UKS-E344-9	UKS-E344-6	UKS-E344-7
63	5	UKS-E354-4	UKS-E354-9	UKS-E354-6	UKS-E354-7

选型  
Description

参数 Parameter	电流(A) Current(A)	63		
	极数(P) Pole(P)	3	4	5
尺寸 Dimension(mm)	a	110	110	110
	b	106	106	106
	c	85	85	85
	d	90	90	90
	e	90	90	90
	f	5.5	5.5	5.5
	g	12	12	12
	g.1	2	2	2
	k	28	28	28
	l	68	68	68
导线横截面积 从最小至最大 Conductor cross section(mm <sup>2</sup> ) Min. - max.		6	6	6
		-16	-16	-16

符合德国工业标准 DIN VDE 0623, 欧洲/国际标准 EN/IEC 60309-2  
其它电压和频率的产品请来函询问

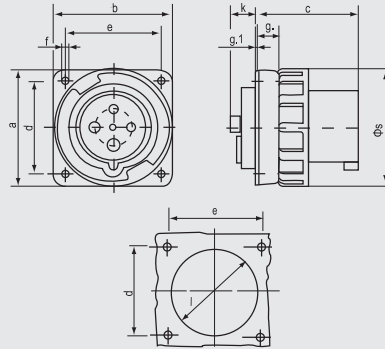
German industrial standard: DIN VDE 0623, European / International standard: EN / IEC 60309-2  
Other requirements, please contact us freely

## 附加装置插头 Panel Mounted Plug

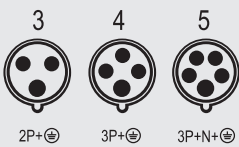
产品外观  
Photo



外形尺寸  
Dimension



**B**



电压 (V)	频率 (Hz)	极数 (Pole)	电流 (A)
110 V	50 a. 60 Hz	3P, 4P, 5P	3P, 4P, 5P
230 V	50 a. 60 Hz	3P, 4P, 5P	3P, 4P, 5P
400 V	50 a. 60 Hz	3P, 4P, 5P	3P, 4P, 5P
500 V	50 a. 60 Hz	3P, 4P, 5P	3P, 4P, 5P
>50 - 500 V	100-300 Hz	3P, 4P, 5P	3P, 4P, 5P
>50 - 500 V	a. 300-500 Hz	3P, 4P, 5P	3P, 4P, 5P

选型  
Description

▲▲ IP 67 CEE / IEC 附加装置插头，耐高温接触载体，插销表面镀镍  
▲▲ IP 67 CEE / IEC Panel mounted plug; highly heat resistant contact carrier, nickel plated contacts

电压 (V)	频率 (Hz)	极数 (Pole)	电流 (A)	型号	
63	3	UKS-E336-4	UKS-E336-6	UKS-E336-9	UKS-E336-7
63	4	UKS-E346-4	UKS-E346-9	UKS-E346-6	UKS-E346-7
63	5	UKS-E356-4	UKS-E356-9	UKS-E356-6	UKS-E356-7
125	3	UKS-E436-4	UKS-E436-6	UKS-E436-9	UKS-E436-7
125	4	UKS-E446-4	UKS-E446-9	UKS-E446-6	UKS-E446-7
125	5	UKS-E456-4	UKS-E456-9	UKS-E456-6	UKS-E456-7

参数  
Parameter

参数 (Parameter)	电流 (A) / 极数 (P)	63			125		
		3	4	5	3	4	5
尺寸 (Dimension)	a	110	110	110	130	130	130
	b	106	106	106	130	130	130
	c	86	86	86	112	112	112
	d	90	90	90	104	104	104
	e	90	90	90	104	104	104
	f	5.5	5.5	5.5	6.5	6.5	6.5
	g	11	11	11	18	18	18
	g.1	2	2	2	2	2	2
	k	28	28	28	28	28	28
	l	68	68	68	95	95	95
	s	113	113	113	132	132	132
导线横截面积 (Conductor cross section)		6	6	6	25	25	25
从最小至最大 (Min. - max.)		-16	-16	-16	-70	-70	-70

可加配附件保护罩  
Protection Cover Extra



保护罩 63A  
63A Protectin Cover  
保护罩 125A  
125A Protectin Cover

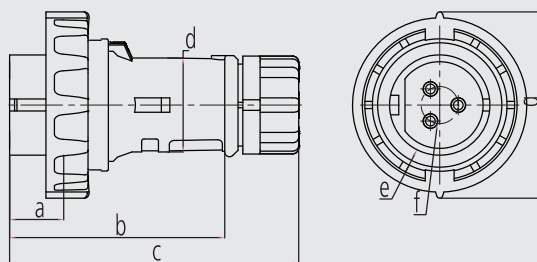


## 低压插头 Low Voltage Plug

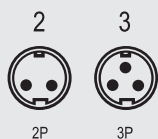
产品外观  
Photo



外形尺寸  
Dimension



**C**



颜色  
Color

20-25V  
50 a. 60 Hz

40-50V  
50 a. 60 Hz

12h

选型  
Description

♦♦ IP 67 CEE/IEC 低压插头  
♦♦ IP 67 CEE / IEC Low voltage plug

16	2	UKS-A1263	UKS-A1264-12
16	3	UKS-A1363	UKS-A1364-12
32	2	UKS-A2263	UKS-A2264-12
32	3	UKS-A2363	UKS-A2364-12

参数  
Parameter

电流(A) Current(A)	16		32	
极数(P) Pole(P)	2	3	2	3
尺寸 Dimension(mm)	a	120 120	120 120	
	b	89.5 89.5	89.5 89.5	
	c	22.5 22.5	22.5 22.5	
	d	39 39	39 39	
	e	41.5 41.5	41.5 41.5	
	f	15.4 15.4	15.4 15.4	
	g	77.5 77.5	77.5 77.5	
导线横截面积 从最小至最大 Conductor cross section(mm <sup>2</sup> ) Min. - max.		1.5 1.5 - 2.5 - 2.5	4 4 - 6 - 6	

## 专用于冷藏集装箱 插头和插座 Plug Socket for Refrigerated Container



400 V  
50 a. 60 Hz  
3h

电流 极数  
Current Pole

C



◆◆ IP 67 CEE / IEC 插座  
◆◆ IP 67 CEE / IEC Socket

32 4 UKS-F246-3



◆◆ IP 67 CEE / IEC 插座、带开关，带机械联锁  
◆◆ IP 67 CEE / IEC Switched socket with mechanical interlock

32 4 UKS-I246-3



◆◆ IP 67 CEE / IEC 附加插座  
◆◆ IP 67 CEE / IEC Panel mounted socket

32 4 UKS-B246-3



◆◆ IP 67 CEE / IEC 插头  
◆◆ IP 67 CEE / IEC Plug

32 4 UKS2-A246-3



◆◆ IP 67 CEE / IEC 连接器  
◆◆ IP 67 CEE / IEC Connector

32 4 UKS2-C246-3



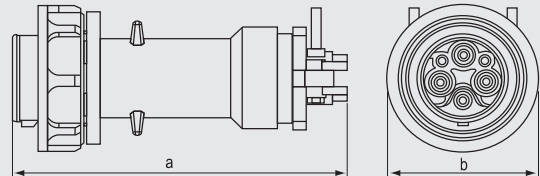
接地在3时位置，符合德国工业标准 DIN VDE 0623，欧洲/国际标准EN/IEC 60309-2 Grounded at position 3h, in line with the German industrial standard: DIN VDE 0623, the European / international standard: EN / IEC 60309-2  
其它电压的产品请来函垂询 Other requirements, please contact us freely

# 大电流插头 High Current Plug

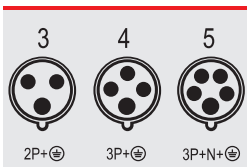
产品外观  
Photo



外形尺寸  
Dimension



**D**



电压 (V)	频率 (Hz)	极数 (Pole)	电流 (A)
110 V	50 a. 60 Hz	3P, 4P, 5P	250
230 V	50 a. 60 Hz	3P, 4P, 5P	250
400 V	50 a. 60 Hz	3P, 4P, 5P	250
500 V	50 a. 60 Hz	3P, 4P, 5P	250
>50 - 500 V	100-300 Hz	3P, 4P, 5P	250
>50 - 500 V	a. 300-500 Hz	3P, 4P	250

◆◆ IP 66 CEE / IEC 大电流插头  
◆◆ IP 66 CEE / IEC High current plug

250 4 UKS-A546-6  
250 5 UKS-A556-6

选型  
Description

参数  
Parameter

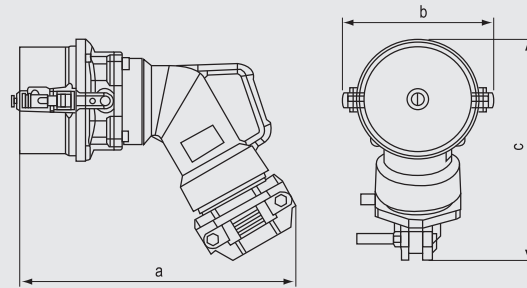
电流(A) Current(A)	250	
极数(P) Pole(P)	4	5
尺寸 Dimension(mm)	a	209.5 209.5
	b	Φ 131 Φ 131
最大电缆直径(mm)	70-90	
导线横截面积(mm <sup>2</sup> )		
从最小至最大		
Max cable diameter(mm)		
Conductor cross section(mm <sup>2</sup> )		
Min. - max.		

# 大电流插头 High Current Plug

产品外观  
Photo



外形尺寸  
Dimension



**D**

3 2P+⊕	4 3P+⊕	5 3P+N+⊕	<b>110 V</b> 50 a. 60 Hz	<b>230 V</b> 50 a. 60 Hz	<b>400 V</b> 50 a. 60 Hz	<b>500 V</b> 50 a. 60 Hz	<b>&gt;50 - 500 V</b> 100-300 Hz	<b>&gt;50 - 500 V</b> a. 300-500 Hz								
3P 4h	4P 4h	5P 4h	3P 6h	4P 9h	5P 9h	3P 9h	4P 6h	5P 6h	3P 7h	4P 7h	5P 7h	3P 10h	4P 10h	5P 10h	3P 2h	4P 2h

◆◆ IP 66 CEE / IEC 大电流插座  
◆◆ IP 66 CEE / IEC High current socket

420	4	UKS-A646-6
420	5	UKS-A656-6

选型  
Description

参数 Parameter	电流(A) Current(A)	420
极数(P) Pole(P)		4 5
尺寸 Dimension(mm)	a	366 366
	b	200 200
	c	300 300
最大电缆直径(mm) 导线横截面积(mm <sup>2</sup> ) 从最小至最大 Max cable diameter(mm) Conductor cross section(mm <sup>2</sup> ) Min. - max.		90-120

符合德国工业标准 DIN VDE 0623, 欧洲/国际标准 EN/IEC 60309-2  
其它电压和频率的产品请来函询问

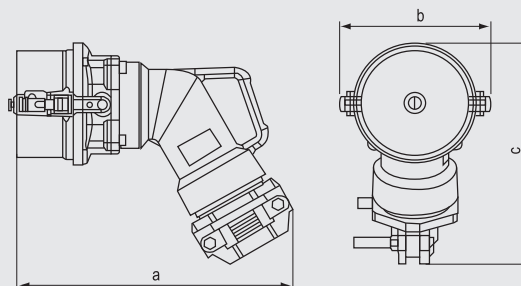
German industrial standard: DIN VDE 0623, European / International standard: EN / IEC 60309-2  
Other requirements, please contact us freely

# 大电流连接器 High Current connector

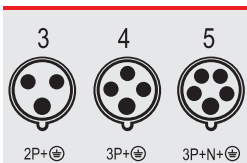
产品外观  
Photo



外形尺寸  
Dimension



**D**



电压 (V)	频率 (Hz)	极数 (Pole)	电流 (A)
110 V	50 a. 60 Hz	3P 4h, 4P 4h, 5P 4h	420
230 V	50 a. 60 Hz	3P 6h, 4P 9h, 5P 9h	420
400 V	50 a. 60 Hz	3P 9h, 4P 6h, 5P 6h	420
500 V	50 a. 60 Hz	3P 7h, 4P 7h, 5P 7h	420
>50 - 500 V	100-300 Hz	3P 10h, 4P 10h, 5P 10h	420
>50 - 500 V	a. 300-500 Hz	3P 2h, 4P 2h	420

选型  
Description

◆◆ IP 66 CEE / IEC 大电流插头  
 ◆◆ IP 66 CEE / IEC High current plug  
 420 4 UKS-C646-6  
 420 5 UKS-C656-6

参数 Parameter	数值
电流(A) Current(A)	420
极数(P) Pole(P)	4 5
尺寸 Dimension(mm)	a 366 366 b 200 200 c 300 300
最大电缆直径(mm) 导线横截面积(mm <sup>2</sup> ) 从最小至最大 Max cable diameter(mm) Conductor cross section(mm <sup>2</sup> ) Min. - max.	90-120

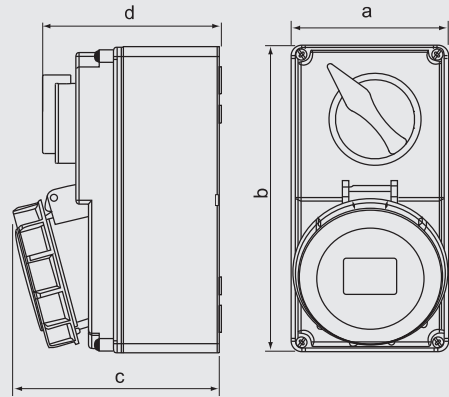
符合欧洲/国际标准 EN/IEC 60309-2 European / international standards EN / IEC 60309-2  
 其它颜色请来函垂询 Other requirements, please contact us freely

# 机械联锁B Interlocked Switch Socket B

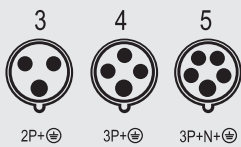
产品外观  
Photo



外形尺寸  
Dimension



**E**



电压	极数	3P	4P	5P	3P	4P	5P	3P	4P	5P	3P	4P	5P	3P	4P	5P
110 V	3	4h	4h	4h	6h	9h	9h	9h	6h	6h	10h	10h	10h	2h	2h	2h
230 V	3	4h	4h	4h	6h	9h	9h	9h	6h	6h	10h	10h	10h	2h	2h	2h
400 V	3	4h	4h	4h	6h	9h	9h	9h	6h	6h	10h	10h	10h	2h	2h	2h
500 V	3	4h	4h	4h	6h	9h	9h	9h	6h	6h	10h	10h	10h	2h	2h	2h
>50 - 500 V	3	4h	4h	4h	6h	9h	9h	9h	6h	6h	10h	10h	10h	2h	2h	2h
>50 - 500 V	3	4h	4h	4h	6h	9h	9h	9h	6h	6h	10h	10h	10h	2h	2h	2h

◆ IP67 CEE / IEC 插座，带开关，带机械联锁  
◆ IP67 CEE / IEC Switched socket with mechanical interlock

16	3	UKS-J136-4	UKS-J136-6	UKS-J136-9	UKS-J136-7
16	4	UKS-J146-4	UKS-J146-9	UKS-J146-6	UKS-J146-7
16	5	UKS-J156-4	UKS-J156-9	UKS-J156-6	UKS-J156-7
32	3	UKS-J236-4	UKS-J236-6	UKS-J236-9	UKS-J236-7
32	4	UKS-J246-4	UKS-J246-9	UKS-J246-6	UKS-J246-7
32	5	UKS-J256-4	UKS-J256-9	UKS-J256-6	UKS-J256-7

选型  
Description

参数  
Parameter

参数 Parameter	16			32		
	3	4	5	3	4	5
尺寸 Dimension(mm)	a	90	90	90	90	90
	b	180	180	180	180	180
	c	115	116	117	123	123
	d	105	105	105	105	105
最大电缆直径(mm)		25	25	25	25	25
导线横截面积(mm²)		1.5	1.5	1.5	2.5	2.5
从最小至最大		-4	-4	-4	-10	-10
Max cable diameter(mm)						
Conductor cross section(mm²)						
Min. - max.						