



FISH TAPES

Case Types



SmartMARK™



Magnum Pro™

SmartMARK™ and MagnumPro

- Advanced comfort grip
- Rugged case design improves drop impact capability
- Superior rapid tape payout and rewind
- Viewing port to show amount of tape remaining and quick debris removal



Reel Stand



Winder

Reel Stand

- Lightweight and portable
- Leaves both hands free

Winder

- Compact
- Winder for quick reeling

Steel Fish Tapes



- For general fishing in conduit
- Durable tapes made from oil-tempered spring steel
- Improved low profile tip for easy fishing through all sizes of conduit
- Maximum design strength: 400 lb (1.7 kN)
- 1/8", 1/4" and flat steel profiles to accommodate different fishing situations
- SmartMARK™ tapes are laser etched with feet and meter markings every 1' (.3 m)
- SmartMARK™ tapes allow you to fish farther and faster with the Speed Flex® leader

CAT. NO.	UPC NO.	LENGTH	WIDTH/DIAMETER	TYPE	END	REPLACEMENT TAPE
FTS438DL-250	783310263012	250'	1/8"	SmartMark™	Speed Flex® Leader	-
FTS438-240	783310127307	240'	1/8"	MagnumPro	Formed Hook	RS438-240 R
FTS438-240BP	783310100485	240'	1/8"	MagnumPro (3-Pack)	Formed Hook	RS438-240 R
S438W-200	783310124764	200'	1/4"	No Case	Formed Hook	-
FTS438DL-150	783310262992	150'	1/8"	SmartMark™	Speed Flex® Leader	-
FTS438-125	783310127093	125'	1/8"	MagnumPro	Formed Hook	RS438-125 R
FTS438-125BP	783310100461	125'	1/8"	MagnumPro (3-Pack)	Formed Hook	RS438-125 R
FTS438W-100	783310127109	100'	1/4"	MagnumPro	Formed Hook	RS438W-100 R
FTS438-65	783310127291	65'	1/8"	MagnumPro	Formed Hook	RS438-65 R
FTS438-65BP	783310100287	65'	1/8"	MagnumPro (3-Pack)	Formed Hook	RS438-65 R
438-5H	783310075004	50'	1/8"	5-Pack	Formed Hook	-
438-2X	783310016960	25'	1/4"	Flat-Steel Tape (3-Pack)	Plastic-Tipped	-



Fish Poles

- Designed specifically for pushing and pulling wires over long distances
- Push or pull wires over suspended ceilings, under sub-floors or crawl spaces and in attics
- Install suspension wires for drop ceilings
- Non-conductive, high-impact construction
- Velcro strap secures pole when in collapsed position
- Self-contained, no loose parts
- Lightweight design to minimize fatigue
- Clip included for easy storage in shirt pocket (FP3 only)
- Magnetic back for retrieving metal objects (FP3 only)



SPECIFICATIONS

	FP12	FP18	FP24	FP3
Extended length	12' (3.7 m)	18' (5.48 m)	24' (7.31 m)	38" (965 mm)
Collapsed length	26" (660 mm)	27" (686 mm)	50" (1270 mm)	6-3/8" (162 mm)
Diameter	1 1/4" (32 mm)	2" (50 mm)	2 1/4" (57 mm)	3/8" (9.5 mm)
Weight	1.3 lb (0.6 kg)	2 1/2 lb (1.1 kg)	4 1/4 lb (1.9 kg)	1.6 oz (46 g)

CAT. NO.	UPC NO.	DESCRIPTION
FP12	783310022688	Fish Pole 12 ft
FP18	783310104421	Fish Pole 18 ft
FP24	783310104438	Fish Pole 24 ft
FP3	783310239024	3' Wire Reacher
R 10453	783310104537	Replacement Hook

NOTE: This is not for use with live wires.

CableCaster®

- Significantly speeds up the installation of lightweight communications cable through hard-to-reach spaces such as suspended ceilings, rafters and sub-floors
- Aerodynamic darts provide high accuracy and fast installation
- 50' (15 m) range allows for faster installations with fewer pulls
- Glow-in-the-dark darts are easy to locate
- Pen-light flashlight mount



CAT. NO.	UPC NO.	DESCRIPTION
06186	783310061861	CableCaster® Wire Pulling Tool with Three Darts
R 06259	783310062592	CableCaster® Replacement Darts (Pack of Four)

POWER FISHING

690-15

VACUUM/BLOWER POWER FISHING SYSTEM



SPECIFICATIONS

Capacity	1/2" – 4" Conduit (5" and 6" with optional foam pistons) see page 197
Liquid Capacity	11 gal. (41.6 L)
Power Source	120 VAC
Weight	50 lb (22.7 kg)
Air Flow	(3.40 cMm) 120 cfm
Suction	110" (2794 mm) water lift

KEY	CAT. NO.	UPC NO.	DESCRIPTION
A	24779	783310247791	Piston set for 1/2"-4" conduit (EMT & Rigid)
B	23360	783310233602	Adapter Nozzle for tape and line
C	25646	783310256465	Adapter Cone 1/2"-1" Conduit
D	25644	783310256441	Adapter Cone 1-1/4"-2-1/2" Conduit
E	25645	783310256458	Adapter Cone 3"-4" Conduit
F	595	783310324331	Fish Line – 85 lb (378 N) pulling strength; 2,150' (655 m) long
R	690-RM	783310015529	Replacement Motor for 690-15
R	02468	783310024682	Filter Assembly Kit
R	690-RT	783310015536	Replacement Tank for 690-15
R	RH10	783310015413	Flexible Hose 10' x 1-1/2" (3.05 m x 38.1 mm)
A	RH15	783310015420	Flexible Hose 15' x 1-1/2" (4.57 m x 38.1 mm)
A	RH25	783310015437	Flexible Hose 25' x 1-1/2" (7.62 m x 38.1 mm)

CAT. NO.	UPC NO.	DESCRIPTION
690-15	783310015543	Vacuum/Blower Power Fishing System – 120 VAC

Li'l Fisher® 390 Power Fishing System

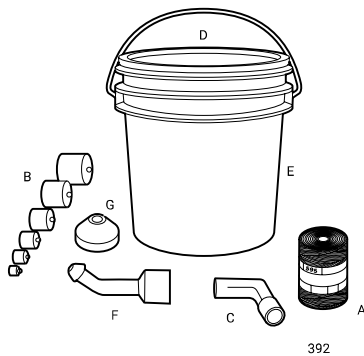


SPECIFICATIONS

Capacity	1/2"-2" conduit with optional Accessory Kit (2-1/2"-4" with optional foam pistons)
Liquid Capacity	1.75 gal. (6.5 l)
Power Source	120 VAC, 1/2 H.P.
Weight	19 lb (8.6 kg)
Air Flow	101.2 cfm (2.83 cMm)
Suction	137.1" (3482 mm) water lift

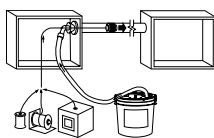
CAT. NO.	UPC NO.	DESCRIPTION
390	783310385943	Li'l Fisher® Vacuum/Blower Power Fishing System – Includes only unit and 38624 hose
A 392	783310390510	Power Fishing System Accessory Kit – Includes all items below

392 / 39051 ACCESSORY KIT INCLUDES:

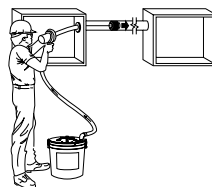


KEY	CAT. NO.	UPC NO.	DESCRIPTION	QTY
A	595	783310324331	Fish Line – 85 lb (378 N) pulling strength; 2,150' (655 m) long	1
B	608	783310110385	Piston for 1/2" Conduit	1
B	609	783310110392	Piston for 3/4" Conduit	1
B	610	783310110408	Piston for 1" Conduit	1
B	611	783310110415	Piston for 1-1/4" Conduit	1
B	612	783310110422	Piston for 1-1/2" Conduit	1
B	613	783310165118	Piston for 2" Conduit	1
C	23360	783310233602	Adapter Nozzle for Measuring Tape	1
D	39063G	783310390633	Accessory Container Lid	1
E	54284	783310542841	Accessory Container	1
F	25646	783310256465	1/2"-1" Cone adapter	1
G	25644	783310256441	1-1/4"-2-1/2" Cone adapter	1

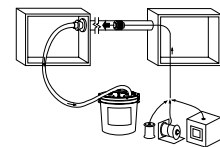
*See page 197 for replacement pistons



Blowing a piston through conduit using 390 Li'l Fisher® Power Fishing System. Can be used with fish line, poly line or measuring tape.



Blowing a piston through conduit using 390 Li'l Fisher® Power Fishing System using 691 Blow Gun with 595 Mighty Mouser® Fish Line.



Vacuuming a piston through conduit using 390 Li'l Fisher® Power Fishing System. Can be used with fish line, poly line or measuring tape.






591

Mighty Mouser® Portable Blower Power Fishing System

- Powerful, will blow line or measuring tape in up to 6" conduit
- Portable, lightweight blower has shoulder strap to make it easy to carry and allow the operator to have both hands free
- Efficient, includes the Mighty Mouser® blow gun for fast, easy line blowing

SPECIFICATIONS

Capacity	1/2" – 4" Conduit (5" and 6" with optional foam pistons)
Power Source	120 VAC 20 Amp
Weight	34 lb (15.2 kg)

CAT. NO.	UPC NO.	DESCRIPTION
591	783310324324	Portable Blower Power Fishing System
 618	783310165170	Piston for 5" Conduit
 619	783310169512	Piston for 6" Conduit
 16646	783310166467	Adapter for 5" – 6" conduit

*See next page for parts list.








592

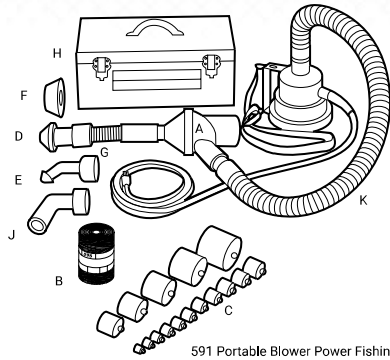
Mighty Mouser® Blow Gun Kit

- This compact, self-contained Lexan® thermoplastic blow gun holds a 2,150' (655 m) package of 85 lb (378 N) breaking strength fish line
- Compact self-contained unit leaves one hand free for more efficient operation
- Mighty Mouser® Blow Gun and Accessories all fit into a compact sturdy metal case

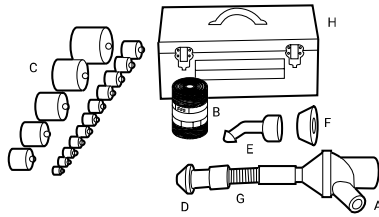
SPECIFICATIONS

Capacity	1/2"- 4" conduit, through 6" with additional optional accessories
Power Source	Use with blower power fishing systems
Weight	592: 20 lb (9 kg) 691: 1.7 lb (0.8 kg)

CAT. NO.	UPC NO.	DESCRIPTION
592	783310325659	Mighty Mouser® Blow Gun Kit for 1/2" – 4" Conduit in metal box
 691	783310320951	Mighty Mouser Blow Gun (only)
 595	783310324331	Fish Line – 85 lb (378 N) pulling strength; 2,150' (655 m) long
 618	783310165170	Piston for 5" Conduit
 619	783310169512	Piston for 6" Conduit
 16646	783310166467	Adapter for 5" – 6" conduit



591 Portable Blower Power Fishing System



592 Mighty Mouser® Blow Gun Kit

Replacement Parts for Mighty Mouser® Models 591/592

KEY	CAT. NO.	UPC NO.	DESCRIPTION	592	591
R	A	691	Mighty Mouser® Blow Gun	X	X
A	B	595	Fish Line – 85 lb (378N) pulling strength; 2,150' (655 m) long	X	X
A	C	24779	Piston set for 1/2"-4" conduit (EMT & Rigid)	-	-
A	D	25644	Adapter Cone 1-1/4"-2-1/2" Conduit	X	X
A	E	25646	Adapter Cone 1/2"-1" Conduit	X	X
A	F	25645	Adapter Cone 3"-4" Conduit	-	X
R	G	32104	Flexible Hose 1-1/2" dia. x 1' (38.1 mm x 305 mm)	X	X
R	H	32662	Storage Box	X	X
R	J	23360	Adapter Nozzle for Tape and Line	-	X
R	K	32431	Flexible Hose 1-1/2" x 4' (38.1 mm x 1.2 m)	-	X

Conduit Pistons

- Use with power fishing systems to pull line through a conduit run quickly
- Flexible foam body clears out water and debris from conduit while creating an air-tight seal
- Color-coded end disk with embossed size markings for fast, easy selection
- Strong steel center rod with loops on both ends
- Pistons available for all types and sizes of conduit 1/2" through 6"



S2613

PISTON SETS

CAT. NO.	UPC NO.	DESCRIPTION
S2613	783310267775	1/2", 3/4", 1", 1-1/4", 1-1/2" and 2" EMT, IMC and Rigid
24779	783310247791	Piston set for 1/2"-4" conduit (EMT & Rigid)
34317	783310343172	2-1/2", 3", 3-1/2" and 4" EMT

INDIVIDUAL PISTONS

CAT. NO.	UPC NO.	QTY	CONDUIT SIZE	CONDUIT TYPE	COLOR
608-5	783310082637	5	1/2"	All	Green
608	783310110385	1	1/2"	All	Green
609-5	783310082644	5	3/4"	All	Green
609	783310110392	1	3/4"	All	Green
610-5	783310082651	5	1"	All	Green
610	783310110408	1	1"	All	Green
611-3	783310082668	3	1-1/4"	All	Green
611	783310110415	1	1-1/4"	All	Green
612-2	783310082675	2	1-1/2"	All	Green
612	783310110422	1	1-1/2"	All	Green
613	783310165118	1	2"	All	Green
614	783310165125	1	2-1/2"	IMC, Rigid	Green
621	783310191070	1	2-1/2"	EMT	Yellow
615	783310165132	1	3"	IMC, Rigid	Green
622	783310191094	1	3"	EMT	Yellow
616	783310165149	1	3-1/2"	IMC, Rigid	Green
646	783310243267	1	3-1/2"	EMT	Yellow
617	783310165156	1	4"	IMC, Rigid	Green
623	783310191100	1	4"	EMT	Yellow
618	783310165170	1	5"	All	Green
619	783310169512	1	6"	All	Green

FISH LINE



595

Lightweight Fish Line

- Strong, lightweight nylon
- Specially wound to payout fast from outside without tangles
- Mildew-resistant, can be pulled into the run with the wire to provide a means to add wires later
- 595 is designed to be used with the Mighty Mouser® blow gun

CAT. NO.	UPC NO.	STRENGTH		LENGTH	
		LB	N	FT	M
595	783310324331	85	378	2150	655
604	783310233688	85	378	2200	670
605	783310165040	45	200	2750	838
606	783310165057	72	320	1700	517
607	783310165064	90	400	1350	411



430

430-500 Poly Line

Poly Line

- Pre-punched lid with resalable cap allows use directly from container
- Use with power fishing systems directly from the container
- Rot and mildew resistant line reduces tangling when dispensing
- Handy reusable plastic dispenser pail with handle keeps the line dry
- Use to pull rope through conduit

CAT. NO.	UPC NO.	TRACER COLOR	STRENGTH		LENGTH	
			LB	N	FT	M
430	783310214816	Green	210	934	6500	1981
430-500	783310125983	Green	210	934	500	152
431	783310214823	Yellow	240	1067	5200	1585
37959	783310379591	-	500	2224	2200	670



435 Measuring Tape shown on
434 Dispenser – sold separately

Polyester Measuring Tape and Dispenser

- Fish and measure conduit runs in one operation
- Permanently printed measurements every foot from zero to 3000' (914 m)
- Made of strong, waterproof polyester
- Pay-out dispenser has anti-skid pads, handle and built-in cutter

SPECIFICATIONS

Size	3000' (914 m)
Capacity	170 lb (756 kN) average breaking strength
Weight	435: 4.4 lb (2.0 kg), 434: 3.5 lb (1.6 kg)

CAT. NO.	UPC NO.	DESCRIPTION
435	783310215622	Conduit Measuring Tape 3/16" x 3000' (4.8 mm x 914 m)
434	783310218753	Pay-Out Dispenser for 435 Conduit Measuring Tape

High-Strength Conduit Measuring Tape

- Pull small cables or install pull rope for large cable pulling jobs
- Made of Polyaramid (similar to Kevlar®), will not rot or deteriorate and can be left in ducts indefinitely for future use
- Low stretch properties make measurements accurate
- Printed measurements every foot from zero to 3000' (914 m)
- Use 406 Dispenser (see page 513)



SPECIFICATIONS

	39243G	39244	39245G
Average Breaking Strength	1250 lb (5.56 kN)	1800 lb (8.01 kN)	2500 lb (11.12 kN)
Length	3000' (914 m)	3000' (914 m)	3000' (914 m)
Weight	10.5 lb (4.8 kg)	14.5 lb (6.6 kg)	18 lb (8.2 kg)

CAT. NO.	UPC NO.	DESCRIPTION
39243G	783310392439	Conduit Measuring Tape 1/4" x 3000' (6.4 mm x 914 m)
39244	783310392446	Conduit Measuring Tape 3/8" x 3000' (9.5 mm x 914 m)
39245G	783310392453	Conduit Measuring Tape 1/2" x 3000' (12.7 mm x 914 m)

High-Strength, Low-Friction Conduit Measuring Tape

- Durable and stretch-resistant tape for easily pulling and installing wire and fiber optic cables within PVC and HDPE ducts
- Factory-lubricated to reduce burn-through in inner duct
- Easy-to-read footage markings for quick and accurate measurements
- Available in various tensile strengths for use in any application



4436

SPECIFICATIONS

	4435	4436	4437
Average Breaking Strength	1250 lb (5.56 kN)	1800 lb (8.01 kN)	2500 lb (11.12 kN)
Length	3000' (914 m)	3000' (914 m)	3000' (914 m)
Weight	23.6 lb (10.7 kg)	31.2 lb (14.2 kg)	39.4 lb (17.9 kg)

CAT. NO.	UPC NO.	DESCRIPTION
4435	783310104452	Polyester Measure/Pulling Tape 1/2" x 3,000' (12.7 mm x 914 m)
4436	783310104469	Polyester Measure/Pulling Tape 5/8" x 3,000' (15.9 mm x 914 m)
4437	783310104476	Polyester Measure/Pulling Tape 3/4" x 3,000' (19.1 mm x 914 m)



Kevlar is a registered trademark of E. I. DuPont, Inc.
Lexan is a registered trademark of SABIC Innovative Plastics IP B.V.

ULTRA TUGGER® 10

10,000 LB CABLE PULLER



On-Board Storage
Keep the disassembled boom stored on the unit



Hand Crank
Provides assistance when lifting heavy loads with the boom



Handle
Easily push the unit on the job site



Quick-Disconnect System
Allows for 360° of adjustments for the elbow and nose



Extendable Boom
Boom can extend up to 20'



Built-In Storage
Store adapters for 2" – 5" conduit

Solid wheels
Eliminate the risk of getting a flat



Additional Mounting Options
Floor mount and chain mount are also available for the UT10



Swivel Casters
Easily navigate through rough terrain on the construction site

6906A



Ultra Tugger® 8 (UT8) Cable Puller: 8000 lb (35.8kN) rated

- 8,000 (35.8 kN) lb pulling force to handle most pulling jobs
- Available with Mobile VersiBoom™ for less than 2 minute, one person set-up, & 20' tall
- Available with floor mount & chain mount for tighter spaces

SPECIFICATIONS

Pulling Force	Maximum: 8,000 lb (35.8 kN) Continuous: 6,500 lb (28.9 kN)
Dimensions	Length: 11.5" (292 mm) Width: 26" (660 mm)
Height	120V models: 6.75" (172 mm) 220V models: 10.0" (254 mm)
Weight	86 lb (39 kg) (08000 only)
Pulling Speed – Feet (Meters) Per Minute	No Load: 9 fpm (2.7 mpm) At 2000 lb (0.9 kN): 8 fpm (2.4 mpm) At 4000 lb (1.8 kN): 7.5 fpm (2.3 mpm) At 6000 lb (2.7 kN): 7 fpm (2.1 mpm) At 8000 lb (3.6 kN): 6 fpm (1.8 mpm)
Drive Motor	1-1/2 HP (1.1 kW)
Power Requirements	8000, 6800, 6801 = 120 VAC 60Hz 20A UT8-22, 6800-22 = 220 VAC 50Hz
Required Rope:	7/8" diameter (22.2 mm); Double-Braided Polyester Composite – Rated at 32,000 lb (142 kN) minimum breaking strength



6800



6801



CAT. NO.	UPC NO.	DESCRIPTION
6800	783310009856	Ultra Tugger® 8 Cable Puller with Standard Force Gauge, and Floor Mount
6800-22	783310031963	Same as 6800, except 220 VAC 50 Hz
6801	783310009863	Ultra Tugger® 8 Cable Puller with Standard Force Gauge, and Conduit Chain Mount
6806	783310003625	UT8 Package with Mobile VersiBoom™ II
6806-22	783310003694	UT8-22 (220 V) Package with Mobile VersiBoom™ II
B 08000	783310080008	Cable Puller (6800)
A FG01	783310060703	Smart Pull
A 34136G	783310341369	Pull Rope 7/8" x 300' (22.2 mm x 91 m)
A 34137	783310341376	Pull Rope 7/8" x 600' (22.2 mm x 182 m)
A 34138	783310341383	Pull Rope 7/8" x 1,200' (22.2 mm x 365 m)
A 444	783310018742	Foot Switch Unit (UT8)

NOTE: Properly rated rope is critical to cable pulling. See page 225 for rope selection by rating.

CAT. NO.	UPC NO.	DESCRIPTION	6800	6801	6806
08000	783310080008	Cable Puller (6800)	X	X	X
00865	783310008651	Mount Assy-Floor	X	-	-
02846	783310028468	Chain Mount Ass'y-Pkgd	-	X	-
MVB	783310005537	Mobile VersiBoom™	-	-	X



Super-Tugger® Cable Puller: 6500 lb (28.9 kN) rated

- Pull up to 6,500 lb (28.9 kN) with less than 27 lb (120 N) of operator effort
- Unique floor mounting attachment for quick, reliable setup
- Leaf-type mounting chains won't twist when tightening
- Heat-treated steel serrated gripper feet for secure mounting to conduit
- Right-angle sheave allows the operator to stand out of the direct line of force
- Audio alarm high force warning and circuit breaker shut off at maximum force for added safety
- Tapered capstan and patented rope guidance system for better control of the rope when feeding onto the capstan

SPECIFICATIONS:

Pulling Force	Maximum: 6,500 lb (28.9 kN) Continuous: 4,500 lb (20 kN)
Dimensions	Length: 20-3/4" (527 mm) Width: 22-1/2" (572 mm) Height: 12" (305 mm)
Weight	6001, 6001-22: 108 lb (49 kg) 6003: 454 lb (206 kg) 6000, 6000-22: 550 lb (250 kg) 6006, 6006-22: 612 lb (278 kg)
Pulling Speed – Feet (Meters) Per Minute:	No Load: 16.5 (5) At 2000 lb: (8.8 kN) – 11 (3.4) At 4000 lb: (17.9 kN) – 7.5 (2.3) At 6000 lb: (26.7 kN) – 6 (1.8)
Drive Motor	1-1/2 HP (1.1 kW)
Power Requirements	6001, 6004, 6005: 120 VAC 16Hz 20A 6001-22: 220 VAC 50Hz
Required Rope	3/4" (19.1 mm) Double-Braided Composite – Rated at 26,000 lb (115.6 kN)



CAT. NO.	UPC NO.	DESCRIPTION
6001	783310296270	Super Tugger Cable Puller Power Unit, Includes force gauge and vise chains
6001-22	783310314660	Same as 6001 except 220 VAC 50 HZ
6004	783310563587	Super Tugger Complete Puller Package, Includes 6001 Super Tugger, Floor Mount, Mobile Carriage, Boom Mount, 4' Boom Tube, Nose Unit, 2 1/2", 3", 3 1/2", 4" Slip-in and Screw-On Couplings & Storage Trays
6005	783310563594	Super Tugger Complete Puller Package, Includes 6001 Super Tugger, Floor Mount, Mobile Carriage, Boom Mount, 4' Boom Tube, Nose Unit, 3' Boom Tube, Elbow Unit, 2 1/2", 3", 3 1/2", 4" Slip-in and Screw-On Couplings and Storage Trays
A 35098	783310350989	Double-Braided Composite Rope 3/4" x 300' (19.1 mm x 91 m)
A 35100	783310351009	Double-Braided Composite Rope 3/4" x 600' (19.1 mm x 182 m)
A 35101	783310351016	Double-Braided Composite Rope 3/4" x 1,200' (19.1 mm x 365 m)
A 3048	783310233626	Storage Box
A 11147	783310111474	Ultra Tugger® 640/6001 Adapter Package Includes wheeled carriage, 4 ft (1.2 m) boom, boom adapter, nose unit, 2-1/2", 3" and 4" slip-in couplings and 2", 3" and 4" screw-on couplings

G6 TURBO™ 6,000 LB TUGGER

HANDS DOWN FASTER. PERIOD.



No Loose Pieces
Allowing quick changeover for easy transport

Ergonomic Design
Eliminates heavy lifting during setup

Dual Capstans
Increase pulling speeds and maximize efficiency

Built-In Dolly
Fast and easy transport

Patent-Pending Adjustable Clamp
Secures conduit in seconds without any adapters

Circuit Breaker Monitor
Auto shutoff and extends motor life

Two-Speed Motor
Specially designed for 6,000 lb load

Force Indicator
Also helps prevent damage to puller

G6 Floor Mount
Provides ultimate flexibility during a pull in hard to reach areas by allowing for custom set-ups that can create longer tail lengths

08632



G6



SPECIFICATIONS

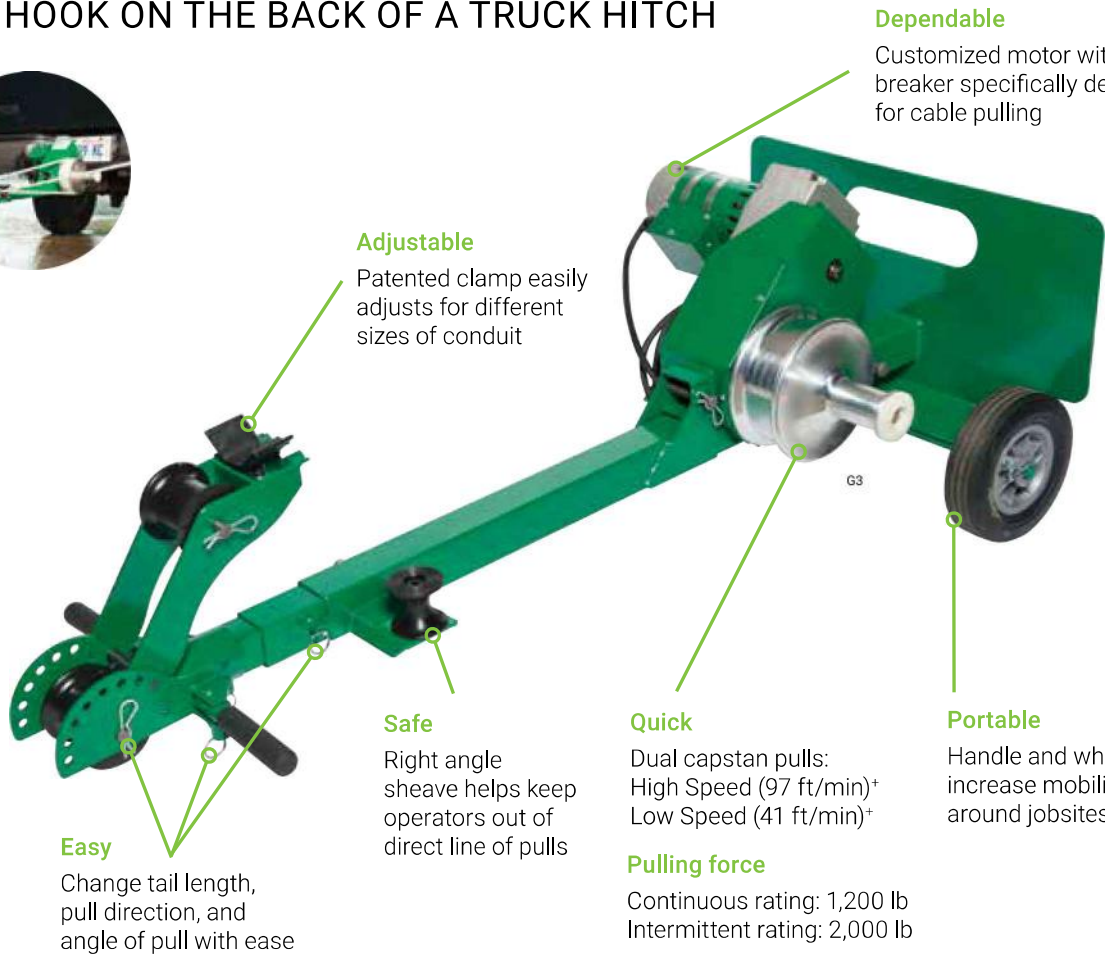
Pulling Force	4,000 lb (17.800 kN) Continuous 5,000 lb (22.200 kN) Intermittent 6,000 lb (26.700 kN) Momentary
Rope Size	3/4" (19.100 mm) Double-Braided Composite, Rated at 26,000 lb (115.600 kN)
Drive Motor	120V VAC, 50/60 Hz, 12 Amps
NoLoad Main Capstan Speed	High Speed 28 ft/min (8.53 m/min) Low Speed 11 ft/min (3.35 m/min)
No Load Secondary Capstan Speed	High Speed 90 ft/min (27.43 m/min) Low Speed 35 ft/min (10.70 m/min)
Standard Boom Extension	7.5' (2.29 m)
Weight	252 lb (114 kg)

Includes a force indicator and foot switch

CAT. NO.	UPC NO.	DESCRIPTION
G6	783310069546	G6 Turbo™ 6,000-pound Puller with Boom/Dolly Mount
 G6-F	783310086314	G6 Turbo™ 6,000-pound Puller with Floor Mount
 08632	783310086321	Floor Mount Assembly for G6 Turbo™

G3 TUGGER™ CABLE PULLER

CAN HOOK ON THE BACK OF A TRUCK HITCH



Dependable

Customized motor with circuit breaker specifically designed for cable pulling

Adjustable

Patented clamp easily adjusts for different sizes of conduit

Safe

Right angle sheave helps keep operators out of direct line of pulls

Quick

Dual capstan pulls:
High Speed (97 ft/min)[†]
Low Speed (41 ft/min)[†]

Portable

Handle and wheels increase mobility around jobsites

Easy

Change tail length, pull direction, and angle of pull with ease

Pulling force

Continuous rating: 1,200 lb
Intermittent rating: 2,000 lb



SPECIFICATIONS

Pulling Force	Continuous rating – 1,200 lb Intermittent rating – 2,000 lb
Drive Motor	120 VAC, 50/60 Hz, 12 Amps
Weight	123 lb
Pulling Speeds	High Speed Capstan – No Load: 97 ft/min 500 lb Load (227 kg) 59 ft/min 1,000 lb Load (455 kg) 36 ft/min Low Speed Capstan – No Load: 41 ft/min 1,000 lb Load (455 kg) 21 ft/min 2,000 lb Load (909 kg) 13 ft/min
Rope	1/2" polyester (10,000 lb minimum breaking strength)
Conduit Size	1" or larger
Pulling Capabilities	3 x 500 kcmil cable 500' with 2 x 90° bends 3 x 500 kcmil cable 250' with 4 x 90° bends 8 x 4/0 AWG cable 300' with 3 x 90° bends

- 3X faster set-up than competition – no loose pieces[†]
- 20% faster than competition[†]
- 25% stronger than competition[†]

CAT. NO.	UPC NO.	DESCRIPTION
G3	783310009054	G3 Tugger®

[†]When compared to competitive models

G-SERIES SMART PULL

MONITOR YOUR CABLE PULL



5-Roller Design

Simply lay down rope, replace rollers and start pulling

Touch Screen LCD Display

Real time force, speed and distance display

Alerts user with flashing colored background

Cam-Locking Pin

Easily insert and remove rope with removable roller and retained pin

Compatibility

Use with existing G6 Turbo™, UT10/UT8 Mobile VersiBoom™ II, floor mount and chain mount

Skeletal Frame

Reduces weight for ease of handling

Makita® Battery Platform

Up to 20 hours of battery life with 5Ah battery

Monitor Using Mobile App

Wireless platform with Bluetooth® file transfer

Transfer file from PullCalc App

USB Download

For easy data retrieval
128MB of on-board memory

Roll Cage Handles

Sturdy steel handles protect the electronics
Easy to carry

- Instant early warning alert allows contractor to take timely action, avoiding rework
- Reduce liability by recording information with accuracy of ensuring a healthy pull and peace of mind for the contractor
- Wirelessly monitor force, speed and distance through the pull

SPECIFICATIONS

Max Force	10,000 lb (44.48 kN)
Rope Size	Up to 7/8" diameter
Weight	34.2 lb
Length	25.5"

SUGGESTED TOLERANCE

FG01 LOAD RANGE (LB)	TOLERANCE (LB)
0-1399	± 75
1400-2749	± 95
2750-5599	± 140
5600-10,000	± 235

PULLCALC APP



CAT. NO.	UPC NO.	DESCRIPTION
FG01	783310060703	G-Series Smart Pull

TUGGER ACCESSORIES



Foot Switch for Cable Pullers

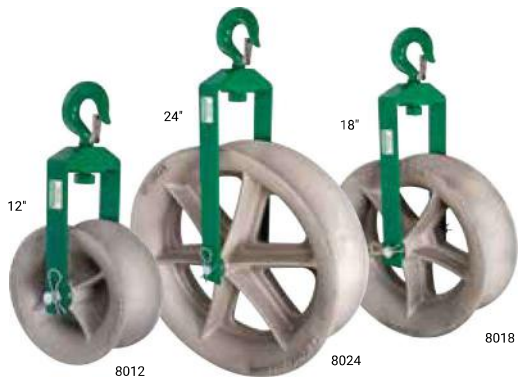
- Use with UT2™, 640, 6001, 6500 or 6800 cable pullers to add foot control

SPECIFICATIONS

Power Source	120 VAC
Weight	3.5 lb (1.6 kg)

CAT. NO.	UPC NO.	DESCRIPTION
A 444	783310018742	Foot Switch

PULLING ACCESSORIES



Hook Sheaves – 8,000 lb Capacity

- For use with UT8, UT5, 6001, UT4 and UT2™ cable pullers
- Strong, welded steel frames
- Forged steel closure type hooks with 1" (25.4 mm) opening
- All three sheaves are aluminum alloy with self-lubricating bearings

SHEAVE	8012		8018		8024	
DIAMETER	12" (304.8 mm)		18" (457.2 mm)		24" (609.6 mm)	
DESCRIPTION	CAT. NO.	UPC NO.	CAT. NO.	UPC NO.	CAT. NO.	UPC NO.
Roll Pin	50700	783310507000	50700	783310507000	50700	783310507000
Sheave Pin	00838	783310008385	00838	783310008385	00838	783310008385
Sheave Unit	00843	783310008439	00844	783310008446	00845	783310008453
Yoke Frame	00854	783310008545	00856	783310008569	00856	783310008569

CAT. NO.	UPC NO.	OUTSIDE DIAMETER	INSIDE RADIUS	WIDTH	WEIGHT	MAXIMUM RATED CAPACITY
8012	783310008729	12" (304.8 mm)	3-7/8" (98.4 mm)	5" (127 mm)	28 lb (12.7 kg)	8,000 lb (35.8 kN)
8018	783310008736	18" (457.2 mm)	7" (177.8 mm)	6" (152.4 mm)	44 lb (19.9 kg)	8,000 lb (35.8 kN)
8024	783310008743	24" (609.6 mm)	9-7/8" (250.8 mm)	6-1/2" (165.1 mm)	67 lb (30.3 kg)	8,000 lb (35.8 kN)

Conveyor Sheaves – 4,000 lb Capacity

- Aluminum frame with a series of sheaves to form a large radius
- Yokes with cast steel closure-type hooks with a 1" (25.4 mm) opening
- 5" (127 mm) wide aluminum alloy sheaves
- Use with any cable puller with maximum pulling force of 4,000 lb (17.8 kN) or less

SPECIFICATIONS

Maximum Pulling Force	4,000 lb (17.8 kN)
Weight	4024: 54 lb (24.5 kg) 4036: 60 lb (27 kg) 4048: 83 lb (38 kg)

CAT. NO.	UPC NO.	DESCRIPTION
4024	783310263685	24" (609.6 mm) Conveyor Sheave with 6 sheave wheels
4036	783310263692	36" (914.4 mm) Conveyor Sheave with 8 sheave wheels
4048	783310263708	48" (1219 mm) Conveyor Sheave with 10 sheave wheels
R 19185	783310191858	Yoke frame
R 15362	783310153627	Sheave w/bearings
R 19186	783310191865	Sheave Pin
R 31573	783310315735	Sheave Pin



Triple Sheave Cable Guide – 6,500 lb Capacity

- Adjustable center sheave for 19-1/2" (495 mm) or 36" (914 mm) radius
- Forged steel closure type hook with 1-1/2" (38.1 mm) opening
- Aluminum frames for light weight
- Steel yoke is pinned for easy removal
- 21-7/8" (555 mm) high, 24" (610 mm) long, 7-3/8" (187 mm) wide with 5" (127 mm) wide sheaves
- Use with any cable puller with maximum pulling force of 6,500 lb (28.9 kN) or less

SPECIFICATIONS

Maximum Rated Capacity	6,500 lb (28.9 kN)
Weight	28 lb (12.7 kg)

CAT. NO.	UPC NO.	DESCRIPTION
6036	783310315698	Triple Sheave Cable Guide

SHEAVE	6036		
	DESCRIPTION	CAT. NO.	UPC NO.
Sheave Axle	31573	783310315735	3
Sheave Bolt Washer	51434	783310514343	6
Sheave Pin	29600	783310296003	1
Sheave Bushing	16798	783310167983	6
Sheave	15362	783310153627	3

Sheave Bolt is a 3/8"-24 x 3/4" hex head socket head cap screw (grade 5) and is available at most hardware stores.



Feeding Sheaves

- Yoke frame slides into the end of conduit and holds sheave, allowing the cable being fed into the conduit to smoothly roll over the sheave
- 5" (127 mm) wide aluminum alloy sheave with self-lubricating bearings
- Split tube for easy removal after cable is installed
- See the Capacity Table (below)



441-4



441-2

441-2-1/2

441-3

441-3-1/2

441-4

441-5

441-6

CAT. NO.	UPC NO.	DESCRIPTION
441-2	783310301837	Feeding Sheave for 2" conduit
441-2-1/2	783310303589	Feeding Sheave for 2-1/2" conduit
441-3	783310301882	Feeding Sheave for 3" conduit
441-3-1/2	783310303633	Feeding Sheave for 3-1/2" conduit
441-4	783310303473	Feeding Sheave for 4" conduit
441-5	783310301936	Feeding Sheave for 5" conduit
441-6	783310134602	Feeding Sheave for 6" conduit

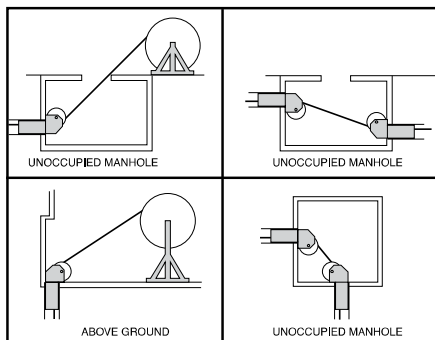
Weight	Width of Shaft Opening
441-2: 9 lb (4.5 kg)	441-2: 1.24"
441-2-1/2: 11 lb (5 kg)	441-2-1/2: 1.37"
441-3: 14 lb (6.4 kg)	441-3: 1.79"
441-3-1/2: 17 lb (7.7 kg)	441-3-1/2: 1.75"
441-4: 19 lb (8.6 kg)	441-4: 1.99"
441-5: 26 lb (11.8 kg)	441-5: 2.23"
441-6: 28 lb (12.7 kg)	441-6: 2.75"

SHEAVE DIAMETER	441-2		441-2-1/2		441-3	
	2" CONDUIT		2-1/2" CONDUIT		441-3	
DESCRIPTION	CAT. NO.	UPC NO.	CAT. NO.	UPC NO.	CAT. NO.	UPC NO.
Sheave Pin	25160	783310251606	25160	783310251606	25160	783310251606
Sheave	15362	783310153627	15362	783310153627	15362	783310153627

SHEAVE DIAMETER	441-3-1/2		441-4		441-5		441-6	
	3-1/2" CONDUIT		4" CONDUIT		5" CONDUIT		6" CONDUIT	
DESCRIPTION	CAT. NO.	UPC NO.	CAT. NO.	UPC NO.	CAT. NO.	UPC NO.	CAT. NO.	UPC NO.
Sheave Pin	25160	783310251606	25160	783310251606	25160	783310251606	25160	783310251606
Sheave	15362	783310153627	15362	783310153627	15362	783310153627	15362	783310153627

CAPACITY TABLE

Angle of Pull	441-2	441-2-1/2	441-3	441-3-1/2	441-4	441-5
15°	1750 lb 7.7 kN	1900 lb 8.4 kN	6050 lb 26.9 kN	6500 lb 28.9 kN	6500 lb 28.9 kN	6500 lb 28.9 kN
30°	900 lb 4.0 kN	1000 lb 4.4 kN	3150 lb 14.0 kN	5050 lb 22.4 kN	6500 lb 28.9 kN	6500 lb 28.9 kN
45°	650 lb 2.8 kN	700 lb 3.1 kN	2200 lb 9.7 kN	3550 lb 15.7 kN	5200 lb 23.1 kN	6500 lb 28.9 kN
60°	500 lb 2.2 kN	550 lb 2.4 kN	1800 lb 8.0 kN	2900 lb 12.8 kN	4200 lb 18.6 kN	6000 lb 26.6 kN
75°	450 lb 2.0 kN	500 lb 2.2 kN	1600 lb 7.1 kN	2600 lb 11.5 kN	3650 lb 16.2 kN	5500 lb 24.4 kN
90°	450 lb 2.0 kN	500 lb 2.2 kN	1550 lb 6.8 kN	2500 lb 11.1 kN	3500 lb 15.5 kN	5250 lb 23.3 kN



CABLE TRAY FEEDER & ACCESSORIES

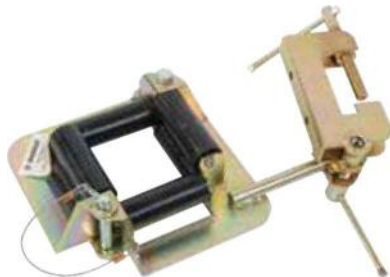


CTF-200

CTF-200

- Quick clamping onto cable, can handle up to 2" (50.8 mm) in outer cable diameter
- 360° swivel pins to easily release cable from all sides with no loose pieces
- Designed specifically to handle electrical cable with 5 grooves to grab cable safely and evenly
- Pre set to aid up to 200 lb (90.7 kg) of force to prevent damage to the insulation of the cable
- Quickly adjust legs and feeder into position utilizing no loose pieces
- Control feeder up to 8' (2.4 m) away with pendant
- Quick set up utilizing a ratchet strap to securely mount to tray

CAT. NO.	UPC NO.	DESCRIPTION
CTF-200	783310036449	Cable Tray Feeder



CR25

CR25

- Six nylon rollers provide smooth movement of cable and prevent cable damage
- Pull pin makes opening and closing to insert and remove cables a simple one step operation
- Adjustment clamp allows the CR25 to be swiveled and/or rotated into any position
- Heavy duty 12 gauge cold rolled steel construction for durability and zinc dichromate finish prevents corrosion
- Up to 20 network cables can be pulled at one time
- Easily attaches to wooden framing members using a lag bolt and the hole in the mounting bracket of the CR25
- May also be used with coax, NM, small size THHN, and similar cables

SPECIFICATIONS

Roller Opening Size	3" (76 mm) square
Weight	2 lb (1 kg)

CAT. NO.	UPC NO.	DESCRIPTION
CR25	783310122111	Cable Roller Guide



CTR100

CTR100 Cable Tray Roller

- 2X faster setup and disassembly than competition
- Rated for 100 lb
- Overlapping roller design prevents rope or cable from potential pinch points
- Compact design fits into tight spaces
- Easy cable release with no loose pieces
- Quick adjust push button for faster setup time and disassembly time

CAT. NO.	UPC NO.	DESCRIPTION
CTR100	783310028109	Roller, Cable
R 03472	783310034728	Roller Replacement Kit
R 03473	783310034735	Frame and Pin Kit
R 03476	783310034766	Handle Assembly Kit



CTR200

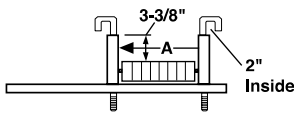
CTR200 Cable Tray Roller

- Rated for 200 lb (90 kg)
- Adjustable leg to fit on tray widths of up to 36" (914.4 mm)
- Securely fastens to various types of cable tray rails
- Easy cable release and positioning of roller guide with no loose pieces
- Quickly fastens mounting system to tray with auto retractable ratchet strap
- Roller guide opens from the left to right side allowing the cable release to be easily accessible
- Overlapping roller design prevents rope or cable from potential pinch points

CAT. NO.	UPC NO.	DESCRIPTION
CTR200	783310027973	Roller, Cable
R 03472	783310034728	Roller Replacement Kit
R 03473	783310034735	Frame and Pin Kit
R 03474	783310034742	Ratchet Kit

Cable Tray Rollers

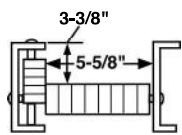
- Installed up through the bottom of the tray for easy removal after the cable is installed
- Individual rollers keep rolling with each cable even after several cables have been installed in the tray
- Steel ball bearing rollers for long life and less friction
- Steel welded frame
- Adjustment slots and universal mounting brackets



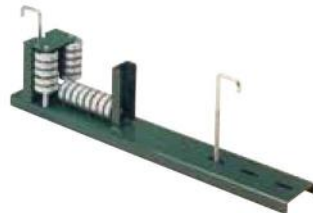
Straight Cable Rollers



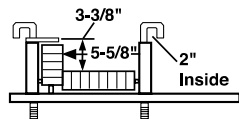
2024S



Right Angle Rollers



2018R



Radius Cable Rollers



20249R

SPECIFICATIONS

Weight	2018S: 8 lb (3.6 kg) 2024S: 10 lb (4.5 kg) 2030S: 13 lb (5.9 kg) 2036S: 15 lb (6.8 kg)	2018R: 11 lb (5 kg) 2024R: 12 lb (5.4 kg) 2030R: 13 lb (5.9 kg) 2036R: 14 lb (6.3 kg) 20249R: 41 lb (18.6 kg) 20369R: 53 lb (24 kg)
--------	---	--

CAT. NO.	UPC NO.	DESCRIPTION
R 28170	783310281702	J-Hook

CAT. NO.	UPC NO.	DIMENSION A
2018S	783310273837	6-5/16" (160.3 mm)
2024S	783310273844	12-1/2" (317.5 mm)
2030S	783310273868	18-11/16" (474.7 mm)
2036S	783310273875	24-7/8" (631.8 mm)

CAT. NO.	UPC NO.	DESCRIPTION
----------	---------	-------------

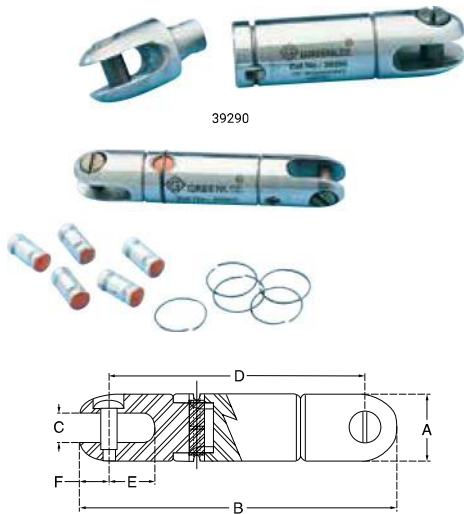
STRAIGHT CABLE ROLLERS		
2018S	783310273837	Straight Cable Roller for 12" – 18" (304.8 – 457.2 mm) wide tray
2024S	783310273844	Straight Cable Roller for 20" – 24" (508 – 609.6 mm) wide tray
2030S	783310273868	Straight Cable Roller for 24" – 30" (609.6 – 762 mm) wide tray
2036S	783310273875	Straight Cable Roller for 30" – 36" (762 – 914.4 mm) wide tray

RADIUS CABLE ROLLERS		
2018R	783310273882	Radius Cable Roller for 12" – 18" (304.8 – 457.2 mm) wide tray
2024R	783310273899	Radius Cable Roller for 20" – 24" (508 – 609.6 mm) wide tray
2030R	783310273905	Radius Cable Roller for 24" – 30" (609.6 – 762 mm) wide tray
2036R	783310273912	Radius Cable Roller for 30" – 36" (762 – 914.4 mm) wide tray

RIGHT ANGLE CABLE ROLLERS		
20249R	783310273929	Right Angle Rollers 24" (609.6 mm) radius 90°
20369R	783310273936	Right Angle Rollers 36" (914.4 mm) radius 90°

Breakaway Swivels

- Acts as a mechanical fuse, breaking away at a preset load to prevent damage to expensive cable
- Breakaway pins can be replaced to change breakaway values



BREAKAWAY PIN KITS

CAT. NO.	UPC NO.	BREAKING POINT	BREAKING POINT	COLOR CODE	USE WITH
39294	783310392941	200 lb	0.9 kN	White	
39295	783310392958	400 lb	1.8 kN	Yellow	39290
39296	783310392965	600 lb	2.7 kN	Orange	5/8" Swivel
39297	783310392972	675 lb	3.0 kN	Black	
39302	783310393023	200 lb	0.9 kN	White	
39303	783310393030	400 lb	1.8 kN	Yellow	39298
39304	783310393047	600 lb	2.7 kN	Orange	7/8" Swivel
39306	783310393061	800 lb	3.6 kN	Grey	
39308	783310393085	1000 lb	4.4 kN	Red	

BREAKAWAY SWIVEL BODY ONLY

CAT. NO.	UPC NO.	A		B		C		D		E		F	
		IN	mm	IN	mm	IN	mm	IN	mm	IN	mm	IN	mm
39290G	783310392903	5/8	15.9	3-7/32	81.8	9/32	7.1	2-23/32	69.1	7/16	11.1	1/4	6.4
39298	783310392989	7/8	22.2	4-7/32	107.2	3/8	9.5	3-11/32	84.9	17/32	13.5	5/16	7.9

For forged eye grips



578

For forged eye grips



579

For flexible eye grips



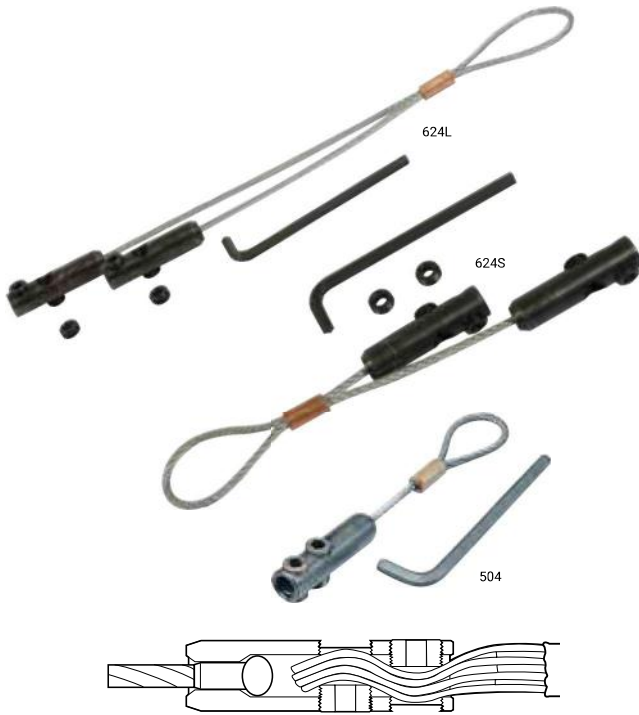
678

Rope Clevis

- Removable bolt and rope sheave
- Removable grip eye bolt
- Select the clevis with a rating that meets or exceeds the cable puller's maximum pulling force
- Removable sheave for rope eye

CAT. NO.	UPC NO.	DESCRIPTION
578	783310319108	Rope Clevis
579	783310319054	Rope Clevis
678	783310195245	Rope Clevis

MAXIMUM RATED CAPACITY	WEIGHT	LENGTH	WIDTH	INSIDE DIAMETER
578: 6,500 lb (28.9 kN)	0.9 lb (408 g)	3.0" (76 mm)	1.406" (36 mm)	1.25" (32 mm)
579: 10,000 lb (44.4 kN)	1.3 lb (589 g)	3.5" (89 mm)	1.84" (47 mm)	1.5" (38 mm)
678: 6,500 lb (28.9 kN)	1.3 lb (589 g)	3.5" (89 mm)	1.75" (44 mm)	0.94" (24 mm)



Each grip has two opposed set screws that provide positive locking. Openings in wire grip should be 50% filled with wire to assure slip-proof grip.

Set Screw Clamp Pulling Grips

- Use to pull in 2" (50.8 mm) or larger conduit
- Type of pulls: heavy, long runs (629)
- Type of pull: light and medium (504)
- Type of grip: Flexible eye 1/4" (6.4 mm–629) (6.3 mm–504) diameter galvanized steel aircraft cable connected to 2 cable receptacles with 5/8" (15.9 mm) diameter opening and 2 clamping set screws
- Select pulling grips with a maximum-rated capacity that meets or exceeds the cable puller's maximum pulling force
- Minimum cable diameter is 3/8"

Maximum Rated Capacity	Weight
504: 1,750 lb (28.9 kN)	504: 5 lb (2.3 kg)
629: 6,500 lb (28.9 kN)	629: 5 lb (2.3 kg)
624: 6,500 lb (28.9 kN)	624: 3.5 lb (1.5 kg)
624S: 3,250 lb (14.5 kN)	624S: 2 lb (.9 kg)
624L: 3,250 lb (14.5 kN)	624L: 2.1 lb (1 kg)

SPECIFICATIONS

Capacity	1,750 lb (7.7 kN)
Weight	1.2 lb (.5 kg)
Size	Receptacle – 5/8" (15.9 mm)

CAT. NO.	UPC NO.	DESCRIPTION
504	783310236658	Set Screw Clamp-Type Pulling Grip
629	783310318552	Pulling Grip with Clevis includes 624S, 624L and 678 clevis – 4 Clamp
624	783310319085	Pulling Grip includes 624S and 624L – 2 Clamp each
624S	783310318668	Short Pulling Grip – 2 Clamp
R 624L	783310318675	Long Pulling Grip – 2 Clamp
R 51208	783310512080	Grip Allen Wrench
R 52352	783310523529	Grip Set Screw (2 per clamp), 629 and 624 – 8 for each grip 624L and 624S – 4 for each grip.



Cable Preparation Instructions for Set Screw Clamp-Type Pulling Grips

- Strip cable approximately 3" (76 mm) of insulation off the end of the cable to be pulled. **NOTE:** The grip head should not be more than 60% filled nor less than 40% filled to assure that the set screw does not project above the surface of the grip body when the set screws are tightened down
- The central core should be clipped away and the outer strands used in the grip head
- Using the Allen Wrench provided, back out the set screws far enough to accommodate the stripped cables
- Insert the bare wire strands into the grip head as far as they will go
- Tighten both set screws in each grip securely against the conductors
- **CAUTION:** If the set screws extend above the surface of the gripping head, damage to the conduit could result. To prevent this, wrap the head with electrical tape.



Basket-Type Pulling Grip Sets

- Handy set gives you the size range you need
- Have the correct grip on the job and save time

SPECIFICATIONS

Capacity	30758: (2) #14 to 4-1/0, .25" – 1.24" (6.4 – 31.5 mm) diameter 597: 3-1/0 to 250 MCM, .75" – 1.99" (1.9 – 50.5 mm) diameter 598: 3-350 MCM to 3-750 MCM, 1.50" – 2.99" (38.1 – 75.9 mm) diameter 599: 3-1/0 to 3-750 MCM, .75" – 2.99" (1.9 – 75.9 mm) diameter
Weight	30758: 1.2 lb (.5 kg) 597: 6 lb (2.7 kg); 598: 9.9 lb (4.5 kg) 599: 13 lb (5.9 kg)

CAT. NO.	UPC NO.	DESCRIPTION
30758	783310307587	Building Wire Junior Grip Set: diameter range .25" – 1.24" (6.4 – 31.5 mm). Consists of 30588, 30590, 30592, and 30594, 30584, 30586.
597	783310314820	T-Type Grip Set: diameter range .75" – 1.99" (19 – 50.5 mm). Consists of 30576, 30578, and 31010.
598	783310314837	T-Type Grip Set: diameter range 1.50" – 2.99" (38.1 – 75.9 mm). Consists of 31010, 30580 and 31012.
599	783310314844	T-Type Grip Set: diameter range .75" – 2.99" (19 – 75.9 mm). Consists of 30576, 30578, 31010, 30580 and 31012.



Junior Basket-Type Pulling Grips

- Use to pull in: conduit or tray
- Type of pulls: building wire manually
- Type of grip: single weave galvanized steel mesh with flexible pulling eye
- Select the grip with a maximum rated capacity that meets or exceeds the cable puller's maximum pulling force

CAT. NO.	UPC NO.	CABLE DIAMETER RANGE		MAXIMUM RATED CAPACITY		EYE LENGTH		MESH LENGTH	
		IN	mm	LB	KN	IN	mm	IN	mm
30596	783310305965	.19 – .24	4.8 – 6.1	80	.3	3-1/4	82.6	4-1/4	108
30584	783310305842	.25 – .36	6.2 – 9.1	90	.4	3-1/4	82.6	4-1/4	108
30586	783310305866	.37 – .49	9.2 – 12.6	180	.8	3-3/4	95.3	7	177.8
30588	783310305880	.50 – .61	12.7 – 15.50	260	1.1	4-1/4	108	8-1/2	215.9
30590	783310305903	.62 – .74	15.6 – 18.9	390	1.7	5	127	10	254
30592	783310305927	.75 – .99	19 – 25.3	560	2.4	5-3/4	146	10	254
30594	783310305941	1.00 – 1.24	25.4 – 31.5	780	3.4	6-1/2	165.1	11-1/2	292.1



CRM-5

CRM-Q

CRM-1



Cable-Cream™ Cable Pulling Lubricant

- Advanced formula, light yellow cream makes pulling faster and easier
- Compatible with all cable insulation types
- Dries slowly to a thin, non-conductive, non-hardening residue
- Adheres well to the cable without messy dripping; Reduces waste
- Cleans up easily and is non-staining
- Won't break down or separate after exposure to freezing cold or blistering heat
- Environmentally friendly and non-corrosive
- Ideal for hot weather environment

SPECIFICATIONS

Weight	CRM-Q: 2.3 lb (1 kg) CRM-5: 42 lb (19.1 kg) CRM-1: 9.5 lb (4.3 kg)
Viscosity	30,000 – 45,000 CPS
PH Range	7.0 – 8.0
Average COF	0.11

CAT. NO.	UPC NO.	DESCRIPTION
CRM-Q	783310352075	Cable-Cream One Quart Squeeze Bottle (.95 l)
CRM-1	783310352082	Cable-Cream One Gallon (3.79 l)
CRM-5	783310352099	Cable-Cream 5 Gallons (18.93 l)



GEL-5

GEL-Q

GEL-1



Cable-Gel™ Cable Pulling Lubricant

- Polymer-based, no silicon lubricant offers lower friction and easier pulling
- Compatible with all cable insulation types
- Cleans up quickly. Non-staining
- Higher lubricity than competitive products
- Will not cement itself to the pipe
- Dries slowly
- Can be applied by hand or pump
- Will not break down or separate after exposure to heat or cold
- Environmentally friendly and non-corrosive
- Ideal for indoor environment

SPECIFICATIONS

Weight	GEL-Q: 2.3 lb (1 kg) GEL-1: 8.5 lb (3.9 kg) GEL-5: 45 lb (20.4 kg) GEL-55: 498 lb (225.9 kg)
Viscosity	8,000 – 12,000 CPS
PH Range	7.0 – 8.0
Average COF	0.18

CAT. NO.	UPC NO.	DESCRIPTION
GEL-Q	783310352112	Cable-Gel One Quart Squeeze Bottle (.95 l)
GEL-1	783310352129	Cable-Gel One Gallon (3.79 l)
GEL-5	783310352136	Cable-Gel 5 Gallons (18.93 l)